



CITY of NOVI CITY COUNCIL

Agenda Item 5
June 17, 2019

SUBJECT: Approval to Purchase a 2019 SPH100 aerial platform Sutphen ladder truck from Sutphen Corporation for the Novi Fire Department, through the Sourcwell competitive purchasing contract #022818-SUT, in the amount of \$1,474,687 and amend the budget.

SUBMITTING DEPARTMENT: Public Safety- Fire Department
Department of Public Work- Fleet Division

CITY MANAGER APPROVAL: *PR*

| | |
|-------------------------------|---------------------------|
| EXPENDITURE REQUIRED | \$ 1,474,687 |
| AMOUNT BUDGETED | \$ 900,000 |
| APPROPRIATION REQUIRED | \$ 574,687 |
| LINE ITEM NUMBER | 400-337.00-979.003 |

BACKGROUND INFORMATION:

The new 2019 SPH100 aerial platform Sutphen will be replacing our current 2001 American LaFrance ladder truck that is currently 18 years old. Our current ladder truck has 46,340 miles & 4775.2 hours in service to date. American LaFrance has stopped producing new builds & parts for their fire engines since January 2014. This has created difficulties in finding the right OEM parts for repairs to our current ladder truck. When parts are acquired, they are at top dollar prices due to the market demand for other American LaFrance still in service. This increases the total cost of ownership and the downtime of our ladder truck.

The new 2019 Sutphen ladder will be equipped with a 2000 GPM Hale QFLO pump, 400 gallon polypropylene tank, 20 gallon on board Foam Logix Class A Direct Inject Foam System, mounted thermal imaging camera, and a 100' aerial platform with dual 2000 GPM TFT monitors. The truck also comes with a 2 year bumper to bumper warranty as well as a 30 year warranty on the ladder. There will also be an increased lighting package for safety while responding to emergency incidents, additional scene lighting, and custom storage compartments that will allow equipment to be secured and removed easier for our members. This truck is used for fire suppression, elevated rescues, & emergency incident traffic control.

RECOMMENDED ACTION:

Approval to Purchase a 2019 SPH100 aerial platform Sutphen ladder truck from Sutphen Corporation for the Novi Fire Department, through the Sourcwell competitive purchasing contract #022818-SUT, in the amount of \$1,474,687 and amend the budget.

MEMORANDUM



TO: DAVID E. MOLLOY, DIRECTOR OF PUBLIC SAFETY
JEFFERY R. JOHNSON, DIRECTOR OF EMS / FIRE OPERATIONS

FROM: MARK THEISEN, CAPTAIN *MT*

SUBJECT: LADDER ONE REPLACEMENT

DATE: MAY 29, 2019

Overview

An apparatus committee was formed with both our full and part time team members to look at the needs of a new Ladder One replacement that has been approved for the 2018/19 budget. The committee consisted of; Captain Theisen, Fire Protection Officers Copeland, Bunse, Luke, Paid On Call Lieutenant Tunnard and Firefighter Schultz to design and build a new Ladder One to meet the needs of the Novi Fire Department.

The Novi Fire Department is constantly monitoring the essential fire apparatus in order to make sure that our fleet is well maintained and in good general working condition. The current Ladder One is a 2001 American LaFrance with 46,795 miles, a 250 gallon water tank, and 1500GPM Waterous pump. It is equipped with a 100 foot hydraulic ladder for rescue and suppression efforts.

After a lengthy evaluation period of several aerial platform manufacturers, Sutphen Corporation was selected to be the best choice for the Novi Fire Department. The proposed replacement vehicle is a 2019 Sutphen SPH100 Aerial Platform. This new SPH100 will be equipped with a 2000 GPM Hale QFLO pump, 400 gallon polypropylene tank, 20 gallon on board Foam Logix Class A Direct Inject Foam System, mounted thermal imaging camera, and a 100' aerial platform with dual 2000 GPM TFT monitors. There will also be an increased lighting package for safety while responding to emergency incidents, additional scene lighting, and custom storage compartments that will allow equipment to be secured and removed easier for our members.

Sutphen also offers one of the best warranty's in the industry; a two year bumper to bumper warranty, as well as a 30 year warrant on the boom. They are the leading manufacturers for a strong boom made from T6 aluminum. With this boom truss design, it also makes the SPH100 Aerial Platform one of the lightest compared to the others evaluated.

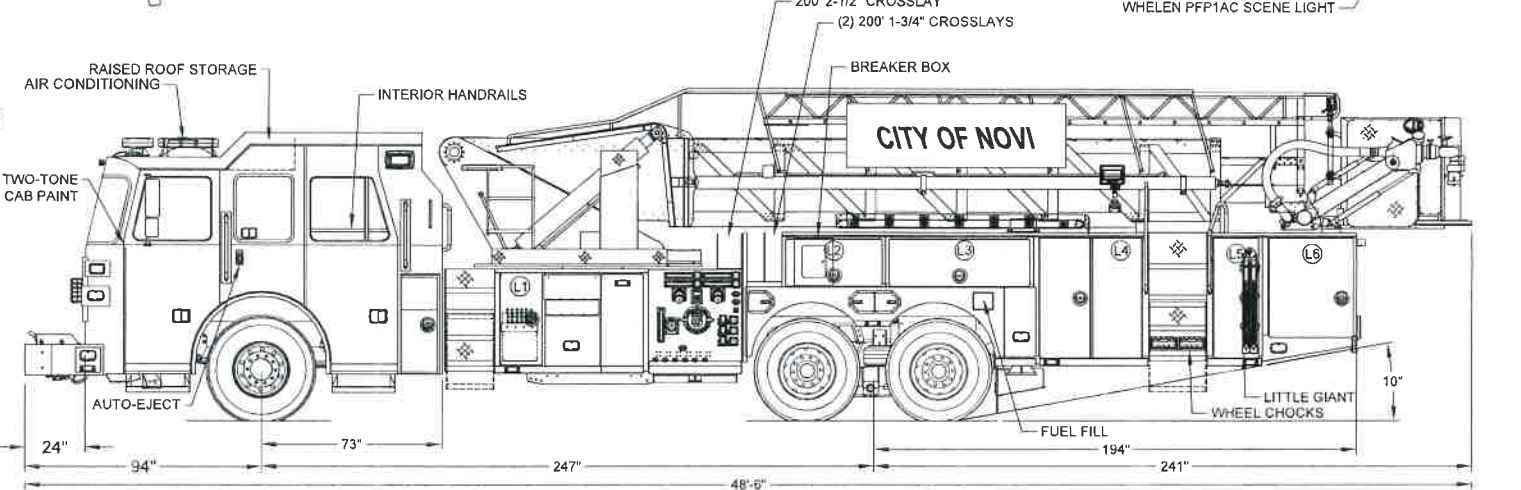
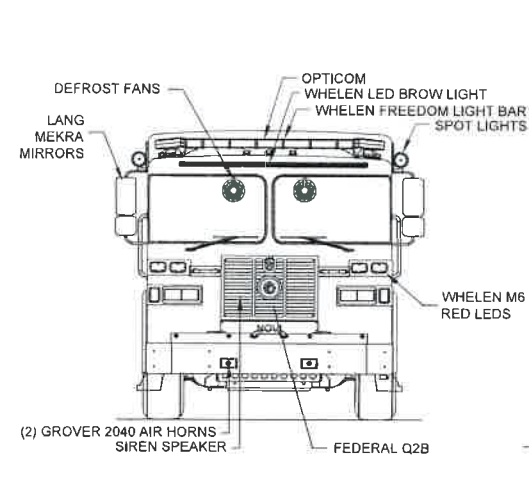
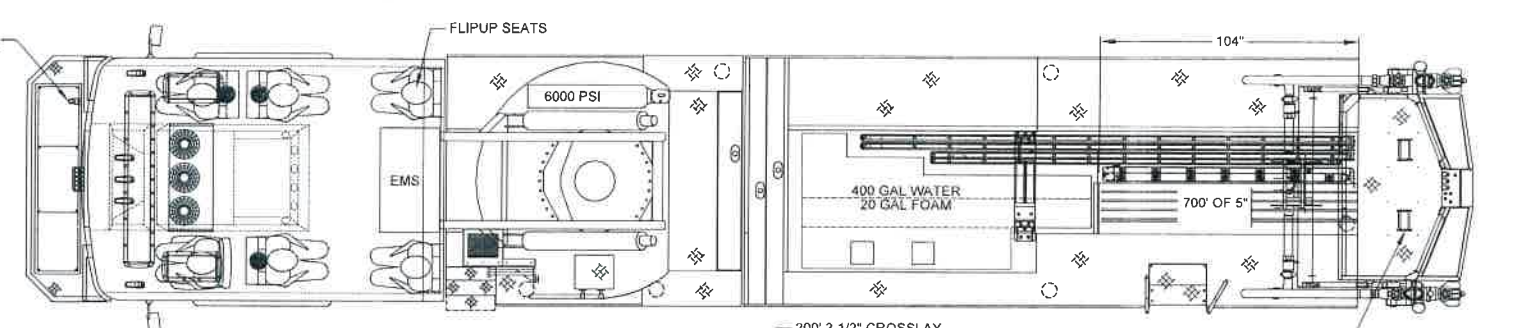
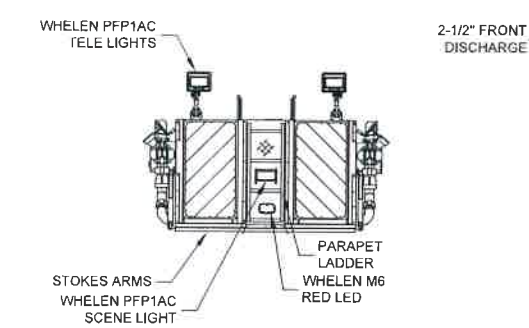
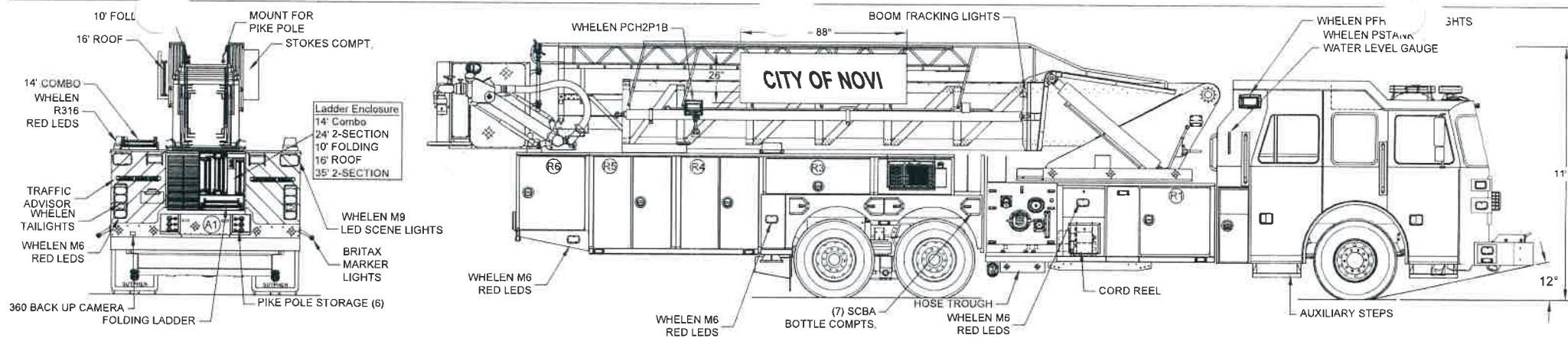
The preliminary cost for the Sutphen SPH 100 Aerial Platform was submitted to Sourcewell Cooperative Purchasing for contract pricing. This contract pricing insures that we will get the lowest price available for the Sutphen SPH100. The City of Novi belongs to Sourcewell Cooperative Purchasing and has utilized this pricing with other projects, so we will not have to go out for bid with other apparatus manufacturers.

The budgeted amount for Ladder One replacement is \$1,800,000. The current Sourcwell pricing for the new Sutphen SPH100 Aerial Platform custom built for Novi is \$1,512,822.74. This will include; the well-equipped Sutphen SPH100, all loose equipment, and training for all of our members. There are also discounts available if a prepayment is made. All of the prepayment options are backed by a performance bond to insure no risk by the buyer if something should happen to Sutphen Manufacturing.

Please contact me with any additional questions or comments.

| | |
|------------------|----------------|
| Sutphen SPH100 | 1,418,241.75 |
| Apollo Equipment | 84,878.99 |
| Mounting/ Misc | 9,702.00 |
| | |
| TOTAL | \$1,512,822.74 |





| DOOR OPENINGS | | | COMPARTMENT DIMENSIONS | | |
|---------------|---------|---------|------------------------|---------|--------|
| COMPT | HEIGHT | WIDTH | HEIGHT | WIDTH | DEPTH |
| L1 | 34 1/16 | 13 7/16 | 38 1/2 | 20 5/16 | 27 1/2 |
| L2 | 15 | 33 1/4 | 19 1/2 | 41 1/2 | 12 5/8 |
| L3 | 15 | 50 1/4 | 19 1/2 | 58 | 12 5/8 |
| L4 | 43 3/4 | 37 1/2 | 48 1/2 | 45 3/4 | 26 1/2 |
| L5 | 43 3/4 | 15 | 48 1/2 | 22 | 26 1/2 |
| L6 | 35 3/8 | 30 3/4 | 40 1/8 | 34 3/4 | 26 1/2 |

| DOOR OPENINGS | | | COMPARTMENT DIMENSIONS | | |
|---------------|---------|---------|------------------------|--------|--------|
| COMPT | HEIGHT | WIDTH | HEIGHT | WIDTH | DEPTH |
| R1 | 34 1/16 | 33 7/16 | 38 1/2 | 40 | 27 1/2 |
| R2 | 15 | 33 1/4 | 19 1/2 | 41 1/2 | 26 1/2 |
| R3 | 15 | 50 1/4 | 19 1/2 | 58 | 26 1/2 |
| R4 | 43 3/4 | 37 1/2 | 48 1/2 | 45 3/4 | 26 1/2 |
| R5 | 43 3/4 | 37 1/2 | 48 1/2 | 45 3/4 | 26 1/2 |
| R6 | 35 3/8 | 30 3/4 | 40 1/8 | 34 3/4 | 26 1/2 |

| DOOR OPENINGS | | | COMPARTMENT DIMENSIONS | | |
|---------------|--------|--------|------------------------|-------|-------|
| COMPT | HEIGHT | WIDTH | HEIGHT | WIDTH | DEPTH |
| A1 | 9 1/8 | 24 1/2 | 9 7/8 | 26 | 88 |

TOTAL COMPARTMENT VOLUME - 253.7 CU.FT.

DIMENSIONS SHOWN ON THIS DRAWING ARE APPROXIMATE AND ARE SUBJECT TO MINOR DEVIATIONS DURING CONSTRUCTION.

IN THE EVENT OF A DISCREPANCY BETWEEN THE SUTPHEN SPECIFICATIONS AND DRAWING, THE SUTPHEN SPECIFICATIONS SHALL PREVAIL.

DRAWING IS FOR REFERENCE ONLY. SOME ITEMS PROPOSED MAY NOT BE SHOWN OR NOTED.

CUSTOMER APPROVAL

NAME: _____

TITLE: _____

DATE: _____

| REV | DESCRIPTION | BY | DATE |
|-----|-------------|----|------|
| | | | |

DRAWN BY
FAULKNEK


DATE
4/22/19

MFG FACILITY:
DUBLIN

NOVI FIRE DEPARTMENT
NOVI, MI

SPH100 AERIAL PLATFORM
HS-XXXX

THIS PRINT IS PROVIDED ON A RESTRICTED BASIS AND IS NOT TO BE USED IN ANY WAY DETRIMENTAL TO THE INTEREST OF SUTPHEN CORPORATION.

| | | | |
|---|--|--|---|
|  | <p align="center">Sutphen Component Report Dealership: Apollo Fire Equipment</p> | HS- Customer Info | |
| | | Contact: Position: Phone: Mobile: Email: | Order#: SQB005571_1 Customer#: CTB001430 |

| |
|--|
| Bill To |
| Customer: CITY OF NOVI Contact: Captain Mark Theisen Address: 42975 GRAND RIVER AVE NOVI, MI 48375 |

| |
|---|
| Ship To |
| Customer: Same as Bill-to Contact: , Address: 42975 GRAND RIVER AVE NOVI MI 48375 |

| |
|---|
| Comments |
| Project Coordinator: Sales Person: David r. Desrochers Revision Level: Truck Type: SPH100 Aerial Platform Body Facility: Dublin |

| Line | Item # | Qty | Item Description/Comments | Unit Price | Extended Price |
|------|----------|-----|---|--------------|----------------|
| 1 | | 1 | APPARATUS MODEL = SPH100 | \$0.00 | \$0.00 |
| 2 | USA | 1 | USA | \$0.00 | \$0.00 |
| 3 | 10000100 | 1 | INTENT OF SPECIFICATIONS - CUSTOM APPARATUS | \$0.00 | \$0.00 |
| 4 | 10000112 | 1 | FUTURE PURCHASES / TAG-ON (SPECIFICATIONS) | \$0.00 | \$0.00 |
| 5 | 10000200 | 1 | PROPOSAL DRAWINGS | \$0.00 | \$0.00 |
| 6 | 10000210 | 1 | APPROVAL DRAWINGS | \$0.00 | \$0.00 |
| 7 | 10000215 | 1 | STD WIRING SCHEMATIC | \$0.00 | \$0.00 |
| 8 | 10000300 | 1 | ~PRECONSTRUCTION CONFERENCE - (1) | \$1,250.00 | \$1,250.00 |
| 9 | 10000310 | 2 | ~INSPECTION TRIPS - (2) | \$1,250.00 | \$2,500.00 |
| 10 | 10010006 | 1 | CHASSIS, CUSTOM | \$233,087.50 | \$233,087.50 |
| 11 | 10200000 | 1 | ~METALS SURCHARGE - CHASSIS, CUSTOM | \$12,308.00 | \$12,308.00 |
| 12 | 51070247 | 1 | Wheelbase = 247 | \$0.00 | \$0.00 |

| Line | Item # | Qty | Item Description/Comments | Unit Price | Extended Price |
|------|----------|-----|---|-------------|----------------|
| 13 | 25020120 | 1 | FRAME, 10" DOUBLE RAILS, DOMEX, TANDEM AXLE - AERIAL (110K PSI) | \$9,878.84 | \$9,878.84 |
| 14 | 45010001 | 1 | FRONT TOW EYES, BELOW BUMPER | \$0.00 | \$0.00 |
| 15 | 45010015 | 1 | FRONT TOW EYE FINISH, PAINTED | \$0.00 | \$0.00 |
| 16 | 46010000 | 1 | REAR TOW EYES | \$0.00 | \$0.00 |
| 17 | 40010250 | 1 | STEERING - ROSS TAS-85 | \$0.00 | \$0.00 |
| 18 | 22010100 | 1 | DRIVE LINE, SPICER, 1810 SERIES (Tandem) | \$2,051.63 | \$2,051.63 |
| 19 | 23014230 | 1 | ENGINE, CUMMINS X 12 500HP DOC-DPF-DEF-SCR OBD | \$27,238.36 | \$27,238.36 |
| 20 | 23029200 | 1 | ENGINE WARRANTY, 5 YEAR, 100,000 MILES FOR CUMMINS X12 / X15 | \$0.00 | \$0.00 |
| 21 | 23030006 | 1 | AIR INTAKE/EMBER SEPARATOR | \$0.00 | \$0.00 |
| 22 | 23031176 | 1 | FUEL FILTER/WATER SEPARATOR, PRIMARY, FLEETGUARD FUEL PRO FH230 | \$0.00 | \$0.00 |
| 23 | 23031180 | 1 | 12VDC HEATER FOR FLEETGUARD FUEL/WATER SEPARATOR | \$487.71 | \$487.71 |
| 24 | 23031220 | 1 | FUEL FILTER, SECONDARY, FLEETGUARD, FF5776 | \$0.00 | \$0.00 |
| 25 | 47012440 | 1 | TRANSMISSION, ALLISON GEN 5, EVS4000 | \$11,939.94 | \$11,939.94 |
| 26 | 23110000 | 1 | JACOBS ENGINE BRAKE | \$0.00 | \$0.00 |
| 27 | 47024050 | 1 | TRANSMISSION COOLER | \$0.00 | \$0.00 |
| 28 | 47030000 | 1 | ALLISON TOUCH PAD SHIFTER | \$0.00 | \$0.00 |
| 29 | 21021200 | 1 | COOLING SYSTEM | \$0.00 | \$0.00 |
| 30 | 21030000 | 1 | FAN CLUTCH | \$879.76 | \$879.76 |
| 31 | 21030200 | 1 | RADIATOR COOLANT RECOVERY, PRESSURIZED SYST | \$0.00 | \$0.00 |
| 32 | 21030500 | 1 | LONG LIFE ANTIFREEZE, 50/50 MIX | \$250.76 | \$250.76 |
| 33 | 26020100 | 1 | FUEL BEAM, 65 GALLON (AERIALS) | \$6,034.14 | \$6,034.14 |
| 34 | 26030000 | 1 | FUEL FILL | \$0.00 | \$0.00 |
| 35 | 26030100 | 1 | FUEL COOLER | \$0.00 | \$0.00 |
| 36 | 24040000 | 1 | DIESEL EXHAUST FLUID TANK | \$0.00 | \$0.00 |
| 37 | 24030100 | 1 | HEAT SHIELD OVER EXHAUST | \$250.76 | \$250.76 |

| Line | Item # | Qty | Item Description/Comments | Unit Price | Extended Price |
|------|----------|-----|---|-------------|----------------|
| 38 | 24530200 | 1 | EXHAUST ADAPTER FOR PLYMOVENT GRABBER SYSTEM | \$113.10 | \$113.10 |
| 39 | 13010205 | 1 | ALTERNATOR, LEECE NEVILLE 320 AMP 4962PA | \$520.06 | \$520.06 |
| 40 | 15010500 | 1 | BATTERIES, INTERSTATE TYPE 31 MHD (4) | \$0.00 | \$0.00 |
| 41 | 15031700 | 1 | BATTERY JUMPER TERMINALS | \$0.00 | \$0.00 |
| 42 | 15030430 | 1 | 120V SHORELINE INLET, KUSSMAUL SUPER 20 AUTO EJECT | \$568.89 | \$568.89 |
| 43 | 88250100 | 4 | 120V OUTLET WIRED TO SHORELINE INLET - EA (4) | \$334.35 | \$1,337.40 |
| 44 | 15031560 | 1 | BATTERY CHARGER, KUSSMAUL LPC 40 W/REMOTE BAR GRAPH DISPLAY | \$1,340.19 | \$1,340.19 |
| 45 | 14021600 | 1 | FRONT AXLE, DANA EFA245T, 25,500 LBS. | \$9,808.73 | \$9,808.73 |
| 46 | 41021550 | 1 | SUSPENSION FRONT 25,500 LB. 54" LEAF | \$0.00 | \$0.00 |
| 47 | 41030100 | 1 | SUSPENSION, ENHANCED SYSTEM | \$0.00 | \$0.00 |
| 48 | 43010700 | 1 | FRONT TIRES, GOODYEAR 445/65R22.5 G296A SS, 22.5X13 WHEELS | \$660.43 | \$660.43 |
| 49 | 14520310 | 1 | REAR AXLE, MERITOR RT-50-180 52,000 LB TANDEM | \$31,327.78 | \$31,327.78 |
| 50 | 14530150 | 1 | TOP SPEED, 60 MPH | \$0.00 | \$0.00 |
| 51 | 14530326 | 1 | DRIVER CONTROLLED DIFFERENTIAL LOCK-MERITOR (TANDEM) | \$2,674.76 | \$2,674.76 |
| 52 | 14540500 | 1 | VOGEL LUBE SYSTEM TANDEM AXLE | \$3,815.46 | \$3,815.46 |
| 53 | 14540550 | 1 | FILL PUMP KIT FOR VOGEL LUBE SYSTEM | \$347.61 | \$347.61 |
| 54 | 42020025 | 1 | SUSPENSION REAR RAYDAN 52,000 LBS. AIR RIDE | \$0.00 | \$0.00 |
| 55 | 44020285 | 1 | TIRES, REAR, GOODYEAR 12R22.5 LRH G622 MUD & SNOW 52,000 GVWR | \$2,996.41 | \$2,996.41 |
| 56 | 42920300 | 1 | TIRE PRESSURE MONITOR, QUICK PRESSURE | \$300.55 | \$300.55 |
| 57 | 44220210 | 1 | WHEELS, ALUM, ALCOA, DURABRITE (max 58K rear) | \$4,024.39 | \$4,024.39 |
| 58 | 44270105 | 1 | HUB COVERS, FRONT & REAR, POLISHED STS (Tandem Axle) | \$417.40 | \$417.40 |
| 59 | 44270305 | 1 | CHROME LUG NUT CAPS, FRONT & REAR (Tandem Axle) | \$129.18 | \$129.18 |
| 60 | 44271100 | 1 | MUD FLAPS, FRONT (PAIR) | \$134.79 | \$134.79 |
| 61 | 44271200 | 1 | MUD FLAPS, REAR (PAIR) | \$170.65 | \$170.65 |
| 62 | 16010225 | 1 | BRAKES MERITOR SCAM 6" FRONT, SCAM 8.625" REAR (TANDEM AXLE) | \$844.58 | \$844.58 |

| Line | Item # | Qty | Item Description/Comments | Unit Price | Extended Price |
|------|----------|-----|--|-------------|----------------|
| 63 | 18010046 | 1 | AIR BRAKE SYST 6 TANKS WABCO 1200 DRYER (TANDEM) | \$1,792.99 | \$1,792.99 |
| 64 | 18020000 | 1 | CENTRAL LOCATION FOR AIR TANK DRAINS | \$454.88 | \$454.88 |
| 65 | 18030110 | 1 | AIR OUTLET CONNECTION | \$334.35 | \$334.35 |
| 66 | 18035110 | 1 | AIR COMPRESSOR, KUSSMAUL AUTO PUMP AC, 100PSI | \$1,047.76 | \$1,047.76 |
| 67 | 18036105 | 1 | TIMER, KUSSMAUL AUTO PUMP | \$274.65 | \$274.65 |
| 68 | 18220500 | 1 | NO ELEC STABILITY CONTROL SYS | \$0.00 | \$0.00 |
| 69 | 18110100 | 1 | WABCO 6 CHANNEL ANTI-LOCK BRAKES TANDEM | \$668.69 | \$668.69 |
| 70 | 54010200 | 1 | AERIAL CHASSIS PREP (TANDEM AXLE) | \$11,397.36 | \$11,397.36 |
| 71 | 53510000 | 1 | COMPRESSION FITTINGS ON AIR SYSTEM (CHASSIS) | \$0.00 | \$0.00 |
| 72 | 54010000 | 1 | MISCELLANEOUS ITEMS ON CHASSIS | \$0.00 | \$0.00 |
| 73 | 11024250 | 1 | CAB TSAL4SE 73" 10" RR 1/2 | \$3,502.66 | \$3,502.66 |
| 74 | 11030025 | 1 | CAB CERTIFICATION - STRUCTURAL INTEGRITY | \$0.00 | \$0.00 |
| 75 | 11030960 | 1 | CAB LOCKDOWN LATCHES W/INTERLOCK & INDICATOR LIGHT | \$246.75 | \$246.75 |
| 76 | 11031025 | 1 | CAB TILT SYSTEM, AIR CONTROL VALVE | \$273.43 | \$273.43 |
| 77 | 11031100 | 1 | MANUAL BACK-UP TILT SYSTEM | \$0.00 | \$0.00 |
| 78 | 11031050 | 1 | ALARM TO SOUND WHEN CAB IS TILTING | \$167.16 | \$167.16 |
| 79 | 11031350 | 1 | CAB DOORS, FULL LENGTH | \$0.00 | \$0.00 |
| 80 | 11031390 | 1 | AUXILIARY CAB STEPS, ALUM, GRIP STRUT (SET OF 4) | \$2,789.96 | \$2,789.96 |
| 81 | 11031385 | 1 | CAB STEPS, LOWER GRIP STRUT, INTERMEDIATE DIAMONDPLATE | \$0.00 | \$0.00 |
| 82 | 11031396 | 1 | CAB STEP LIGHTING, FEDERAL SIGNAL COMPLEX LED STRIP LIGHTS | \$0.00 | \$0.00 |
| 83 | 11031421 | 1 | CAB DOOR WINDOWS, POWER | \$727.95 | \$727.95 |
| 84 | 11031401 | 1 | CAB SIDE WINDOWS, FIXED | \$357.83 | \$357.83 |
| 85 | 11031460 | 1 | NO WINDOWS, BACK WALL OF CAB | \$0.00 | \$0.00 |
| 86 | 11031465 | 1 | WINDOW TINTING (LIMO TINT 8%) | \$258.83 | \$258.83 |
| 87 | 11030215 | 1 | EXTERIOR COMPTS, SIDE OF EXT CAB, TRANSVERSE 37" H | \$6,652.03 | \$6,652.03 |

| Line | Item # | Qty | Item Description/Comments | Unit Price | Extended Price |
|------|----------|-----|--|------------|----------------|
| 88 | 52010010 | 1 | SYNCHRONIZED ELECTRIC INTERMITTENT WIPERS | \$0.00 | \$0.00 |
| 89 | 27022000 | 1 | HANDRAILS, CAB, KNURLED STAINLESS STEEL | \$0.00 | \$0.00 |
| 90 | 27030500 | 1 | SCUFF PLATE BEHIND HANDRAILS, MIRRORED STS | \$378.68 | \$378.68 |
| 91 | 27030600 | 1 | COAT HOOKS FOR GRAB HANDRAILS (4) | \$126.73 | \$126.73 |
| 92 | 27030710 | 1 | HANDRAILS, FRONT OF CAB, KNURLED STAINLESS STEEL (PAIR) | \$548.73 | \$548.73 |
| 93 | 27030725 | 1 | SCUFF PLATES, STAINLESS STEEL, BEHIND HANDRAILS (FRONT OF CAB) | \$222.75 | \$222.75 |
| 94 | 27030007 | 1 | HANDRAILS, REAR CAB INTERIOR DOOR WINDOW KNURLED STS | \$381.55 | \$381.55 |
| 95 | 38010020 | 1 | MIRRORS LANG MEKRA 300 SERIES HEATED & REMOTE | \$676.75 | \$676.75 |
| 96 | 11024405 | 1 | UPPER GRILLE, LEVEL STYLE FACADE (X12/X15) | \$0.00 | \$0.00 |
| 97 | 11024500 | 1 | FLAMING "S" LOGO, UPPER GRILLE, REFLECTIVE RED | \$0.00 | \$0.00 |
| 98 | 11024610 | 1 | LOWER GRILLE, POLISHED STAINLESS, LASER CUT LETTERING | \$246.54 | \$246.54 |
| 99 | 20012220 | 1 | BUMPER, 24" FORMED STEEL CHANNEL, PAINTED | \$1,889.09 | \$1,889.09 |
| 100 | 20029830 | 1 | BUMPER SIDES, PAINTED STEEL, W/POCKET (12-24" EXTENSION) | \$796.88 | \$796.88 |
| 101 | 20040215 | 1 | STORAGE WELL, DEEP CENTER, FULL WIDTH (24" BUMPER) | \$678.45 | \$678.45 |
| 102 | 20040300 | 1 | 1" LIP AROUND BUMPER TROUGH | \$474.23 | \$474.23 |
| 103 | 20030120 | 1 | STORAGE WELL COVER, TREADPLATE, 4" RAISE | \$892.68 | \$892.68 |
| 104 | 20042110 | 1 | PROTECTIVE BUMPER COATING, SCORPION, TOP EDGE OF FRONT BUMPER | \$343.75 | \$343.75 |
| 105 | 12010500 | 1 | AIR HORNS, DUAL, GROVER #2040 RECTANGULAR | \$0.00 | \$0.00 |
| 106 | 12030350 | 1 | LANYARD CONTROL FOR AIR HORNS | \$91.58 | \$91.58 |
| 107 | 12510110 | 1 | ELEC SIREN, WHELEN 295HFS2, REMOTE FLUSH MOUNT | \$720.23 | \$720.23 |
| 108 | 12530205 | 1 | ELEC SIREN WIRED TO STEERING WHEEL BUTTON | \$91.58 | \$91.58 |
| 109 | 12620202 | 1 | SIREN SPEAKER, 100W, WHELEN, SA314B, BLACK FINISH (PAIR) | \$1,502.81 | \$1,502.81 |
| 110 | 12670110 | 1 | SIREN SPEAKER(S) INSTALLED BEHIND CAB GRILLE | \$0.00 | \$0.00 |
| 111 | 12710100 | 1 | SIREN, FEDERAL Q2B, GRILLE MOUNT | \$2,759.04 | \$2,759.04 |
| 112 | 12730205 | 1 | MECH SIREN WIRED TO STEERING WHEEL BUTTON | \$91.58 | \$91.58 |

| Line | Item # | Qty | Item Description/Comments | Unit Price | Extended Price |
|------|----------|-----|---|------------|----------------|
| 113 | 12730310 | 1 | FOOT SWITCH, OFFICER'S SIDE, FOR MECH SIREN | \$91.58 | \$91.58 |
| 114 | 12730350 | 1 | MOMENTARY SWITCH ON DASH, OFFICER'S SIDE, FOR MECH SIREN | \$91.58 | \$91.58 |
| 115 | 32520520 | 1 | HEADLIGHTS, LED, FIRETECH FT-4X6, DUAL STS HOUSINGS | \$4,098.20 | \$4,098.20 |
| 116 | 32530500 | 1 | ALTERNATING FLASHER FOR HEADLIGHT | \$250.76 | \$250.76 |
| 117 | 48010300 | 1 | FRONT TURN SIGNALS, WHELEN 400 SERIES LED (4) | \$453.49 | \$453.49 |
| 118 | 11033100 | 1 | EXTERIOR ALUM SCUFF PLATES (4 DOORS) | \$1,337.38 | \$1,337.38 |
| 119 | 11035405 | 1 | DIAMONDPLATE REAR EXTERIOR WALL OF CAB (AERIAL OR TOP MOUNT) | \$0.00 | \$0.00 |
| 120 | 11035430 | 1 | DIAMONDPLATE CAB ROOF 36" x 59" (AERIAL) | \$0.00 | \$0.00 |
| 121 | 11033202 | 1 | 3/16" SMOOTH ALUM BACK WALL & SIDE WALLS, INSIDE CAB | \$818.99 | \$818.99 |
| 122 | 31010287 | 1 | INTERIOR, MULTISPEC GRAY SPECKLE PAINT W/GRAY-BLACK DURAWEAR | \$0.00 | \$0.00 |
| 123 | 11032929 | 1 | DOOR PANEL, FULL STS | \$0.00 | \$0.00 |
| 124 | 11032958 | 1 | REFLECTIVE MATL, INTERIOR CAB DOORS, REFLEXITE | \$388.24 | \$388.24 |
| 125 | 31010291 | 1 | CAB INTERIOR FLOOR COVERING, BLACK RUBBERIZED | \$0.00 | \$0.00 |
| 126 | 22510100 | 1 | ENGINE ENCLOSURE, FULL LENGTH | \$0.00 | \$0.00 |
| 127 | 22510531 | 1 | ENGINE ENCLOSURE COVERING, SCORPION GRAY URETHANE BLEND | \$0.00 | \$0.00 |
| 128 | 11031680 | 1 | CENTER CONSOLE W/MAP BOOK STORAGE, TOP OF ENGINE ENCLOSURE | \$555.29 | \$555.29 |
| 129 | 22610055 | 1 | ENGINE HOOD LIGHT, LED (2) | \$176.75 | \$176.75 |
| 130 | 11031512 | 1 | COMPUTER TRAY IN LIEU OF GLOVE BOX | \$148.26 | \$148.26 |
| 131 | 29810100 | 1 | CHASSIS ELECTRICAL DESCRIPTION | \$0.00 | \$0.00 |
| 132 | 30010135 | 1 | INSTRUMENTATION, AMETEK W/ CENTER & OVERHEAD CONSOLES (AERIALS) | \$791.78 | \$791.78 |
| 133 | 30010700 | 1 | CAB PUMP SHIFT, AIR | \$265.63 | \$265.63 |
| 134 | 29910100 | 1 | PROGRAMMABLE LOAD MANAGER, CLASS-1 SUPERNODE II | \$0.00 | \$0.00 |
| 135 | 30031100 | 1 | HIGH IDLE SWITCH | \$250.76 | \$250.76 |
| 136 | 30031775 | 1 | 12V POWER POINTS, (2) | \$167.20 | \$167.20 |
| 137 | 30031802 | 1 | 12V DUAL PORT USB POWER POINTS, (2) | \$167.20 | \$167.20 |

| Line | Item # | Qty | Item Description/Comments | Unit Price | Extended Price |
|------|----------|-----|---|------------|----------------|
| 138 | 11040000 | 1 | CAB ACCESSORY FUSE PANEL | \$518.85 | \$518.85 |
| 139 | 84541540 | 1 | POWER & GROUND STUDS, UPPER COMMAND CONSOLE | \$302.79 | \$302.79 |
| 140 | 84541545 | 1 | POWER & GROUND STUDS, LOWER COMMAND CONSOLE | \$302.79 | \$302.79 |
| 141 | 84541550 | 1 | POWER & GROUND STUDS, UNDER OFFICER'S SEAT | \$824.14 | \$824.14 |
| 142 | 30110000 | 1 | VEHICLE DATA RECORDER, AKRON/WELDON | \$0.00 | \$0.00 |
| 143 | 33510030 | 1 | INTERIOR CAB LIGHTS, WHELEN 6" ROUND RED/CLEAR LED (2) | \$0.00 | \$0.00 |
| 144 | 34010030 | 1 | INTERIOR CREW LIGHTS, WHELEN 6" ROUND RED/CLEAR LED (2) | \$0.00 | \$0.00 |
| 145 | 33530654 | 1 | INTERIOR CAB DOOR WARNING LIGHTS, WHELEN ION T-SERIES LED, TLI* (QTY 4) | \$1,064.63 | \$1,064.63 |
| 146 | 33530722 | 1 | MAP LIGHT, SUNNEX, LED (1) | \$436.88 | \$436.88 |
| 147 | 33031000 | 1 | SPOTLIGHTS, CAB, RECTANGULAR HALOGEN (2) | \$501.51 | \$501.51 |
| 148 | 28010740 | 1 | DEFROSTER, HEATER & A/C | \$6,470.65 | \$6,470.65 |
| 149 | 28090003 | 1 | HEAT TO FEET | \$532.98 | \$532.98 |
| 150 | 28090100 | 1 | A/C TO FACE | \$407.04 | \$407.04 |
| 151 | 28030500 | 1 | DEFROSTER DUCTWORK, ENTIRE WINDSHIELD | \$0.00 | \$0.00 |
| 152 | 11031687 | 1 | TOP HEAT/AC STORAGE, TOOL MOUNTING PLATE, 25" x 19.5" | \$0.00 | \$0.00 |
| 153 | 28030000 | 1 | METAL VENT COVERS FOR DEFROSTER/AC | \$277.35 | \$277.35 |
| 154 | 28031000 | 1 | FAN, 12 VOLT, DRIVER'S SIDE | \$150.44 | \$150.44 |
| 155 | 28031100 | 1 | FAN, 12 VOLT, OFFICER'S SIDE | \$150.44 | \$150.44 |
| 156 | 38510104 | 1 | DRIVER'S SEAT, BOSTROM SIERRA HIGH BACK ABTS AIR RIDE (DURAWEAR PLUS, LOW SEAM) | \$1,418.04 | \$1,418.04 |
| 157 | 38320000 | 1 | HELMET STORED IN COMPARTMENT | \$0.00 | \$0.00 |
| 158 | 39010210 | 1 | OFFICER'S SEAT, BOSTROM TANKER 550, ABTS SCBA (DURAWEAR PLUS, LOW SEAM) | \$982.98 | \$982.98 |
| 159 | 39030020 | 1 | OFFICER'S SEAT COMPT, FRONT DOOR | \$285.65 | \$285.65 |
| 160 | 38320000 | 1 | HELMET STORED IN COMPARTMENT | \$0.00 | \$0.00 |
| 161 | 39521307 | 1 | CREW SEAT 1, BOSTROM TANKER 550, ABTS SCBA (DURAWEAR PLUS, LOW SEAM) | \$1,421.64 | \$1,421.64 |
| 162 | 38320000 | 1 | HELMET STORED IN COMPARTMENT | \$0.00 | \$0.00 |

| Line | Item # | Qty | Item Description/Comments | Unit Price | Extended Price |
|------|----------|-----|---|------------|----------------|
| 163 | 39521308 | 1 | CREW SEAT 2, BOSTROM TANKER 550, ABTS SCBA (DURAWEAR PLUS, LOW SEAM) | \$1,421.64 | \$1,421.64 |
| 164 | 38320000 | 1 | HELMET STORED IN COMPARTMENT | \$0.00 | \$0.00 |
| 165 | 11031825 | 1 | EMS CABINET, FORWARD FACING, DOUBLE ON CREW SEAT RISER (AERIAL) | \$3,590.15 | \$3,590.15 |
| 166 | 39521625 | 1 | CREW SEAT 5, BOSTROM TANKER 550, ABTS, SCBA (DURAWEAR PLUS, LOW SEAM) | \$1,421.64 | \$1,421.64 |
| 167 | 38320000 | 1 | HELMET STORED IN COMPARTMENT | \$0.00 | \$0.00 |
| 168 | 39521626 | 1 | CREW SEAT 6, BOSTROM TANKER 550, ABTS, SCBA (DURAWEAR PLUS, LOW SEAM) | \$1,421.64 | \$1,421.64 |
| 169 | 38320000 | 1 | HELMET STORED IN COMPARTMENT | \$0.00 | \$0.00 |
| 170 | 39588888 | 1 | SPECIAL ITEM, REMOVEABLE ZIP OFF SEAT COVERS | \$3,600.00 | \$3,600.00 |
| 171 | 39550200 | 1 | SEAT COLOR, BLACK | \$0.00 | \$0.00 |
| 172 | 39610000 | 5 | SCBA BRACKETS, BOSTROM, SECURE ALL (5) | \$260.80 | \$1,304.00 |
| 173 | 38410000 | 1 | SEAT BELT WARNING SYSTEM, AKRON / WELDON | \$0.00 | \$0.00 |
| 174 | 39710015 | 1 | CREW SEAT COMPT, FRONT DROP-DOWN DOORS (73" CAB) | \$770.14 | \$770.14 |
| 175 | 11031740 | 1 | OVERHEAD STORAGE, FRONT OF 10" RR W/NET | \$2,014.99 | \$2,014.99 |
| 176 | 84541601 | 1 | MOUNTING OF CUSTOMERS RADIO-DUAL HEAD | \$1,755.11 | \$1,755.11 |
| 177 | 84541700 | 2 | INSTALLATION OF CUSTOMERS 2-WAY RADIO ANTENNA (2) | \$328.69 | \$657.38 |
| 178 | 84541500 | 1 | WIRING OF CAB FOR FUTURE INSTALLATION OF HANDLIGHT CHARGERS OR RADIO CHARGERS | \$835.86 | \$835.86 |
| 179 | 30080100 | 1 | HD STEREO, JENSEN, AM/FM/WB | \$683.50 | \$683.50 |
| 180 | 84530256 | 1 | WIRELESS INTERCOM, FIRECOM 5100D, SINGLE RADIO, 6 POSITION | \$8,180.96 | \$8,180.96 |
| 181 | 84561375 | 1 | CAMERA SYSTEM, BRIGADE, BACKEYE 360 CAMERA SYSTEM (WIRED) | \$5,106.25 | \$5,106.25 |
| 182 | 11088888 | 1 | SPECIAL ITEM, REFRIGERATOR | \$300.00 | \$300.00 |
| 183 | 60012555 | 1 | QMAX-2000 GPM 6" SUCTION SINGLE STAGE PUMP | \$0.00 | \$0.00 |
| 184 | 60025010 | 1 | GEARBOX, HALE, G-SERIES, FRONT MOUNTED | \$0.00 | \$0.00 |
| 185 | 60026020 | 1 | MECHANICAL PUMP SEAL, HALE | \$795.56 | \$795.56 |
| 186 | 60030305 | 1 | REMOVABLE HEAT PAN UNDER PUMP | \$4,909.68 | \$4,909.68 |
| 187 | 60030355 | 1 | MANUAL PUMP SHIFT OVERRIDE (1810 DRIVELINE) | \$1,795.21 | \$1,795.21 |

| Line | Item # | Qty | Item Description/Comments | Unit Price | Extended Price |
|------|----------|-----|--|------------|----------------|
| 188 | 60031005 | 1 | ALLOY ANODES, HALE | \$219.79 | \$219.79 |
| 189 | 60035121 | 1 | PUMP TEST, MISTRAS GROUP, INC | \$0.00 | \$0.00 |
| 190 | 61510000 | 1 | AUXILIARY COOLER (HEAT EXCHANGER) | \$0.00 | \$0.00 |
| 191 | 62010002 | 1 | STAINLESS STEEL PIPING | \$0.00 | \$0.00 |
| 192 | 66020100 | 1 | 3" TANK TO PUMP W/CHECK VALVE | \$0.00 | \$0.00 |
| 193 | 61720100 | 1 | VALVE, AKRON HEAVY DUTY | \$0.00 | \$0.00 |
| 194 | 61770120 | 1 | ACTUATOR, VALVE, PUSH/PULL HANDLE, INNOVATIVE CONTROLS | \$0.00 | \$0.00 |
| 195 | 73010100 | 1 | TANK FILL 1.5" | \$0.00 | \$0.00 |
| 196 | 61720100 | 1 | VALVE, AKRON HEAVY DUTY | \$0.00 | \$0.00 |
| 197 | 61770120 | 1 | ACTUATOR, VALVE, PUSH/PULL HANDLE, INNOVATIVE CONTROLS | \$0.00 | \$0.00 |
| 198 | 61010405 | 1 | PRESSURE GOVERNOR, CLASS 1 TPGJ1939 | \$0.00 | \$0.00 |
| 199 | 61210000 | 1 | INTAKE PRESSURE CONTROL, ELKHART 40-20 | \$206.40 | \$206.40 |
| 200 | 63021100 | 1 | 6" MAIN SUCTION, LEFT SIDE | \$0.00 | \$0.00 |
| 201 | 63030400 | 1 | HALE MASTER INTAKE VALVE, ELEC | \$4,641.70 | \$4,641.70 |
| 202 | 65030000 | 1 | 2.5" LEFT SIDE INLET | \$1,253.75 | \$1,253.75 |
| 203 | 61720100 | 1 | VALVE, AKRON HEAVY DUTY | \$0.00 | \$0.00 |
| 204 | 61770100 | 1 | ACTUATOR, VALVE, SWING HANDLE | \$0.00 | \$0.00 |
| 205 | 60036010 | 1 | THREADS, NST | \$0.00 | \$0.00 |
| 206 | 63025100 | 1 | 6" MAIN SUCTION, RIGHT SIDE | \$0.00 | \$0.00 |
| 207 | 63030400 | 1 | HALE MASTER INTAKE VALVE, ELEC | \$4,641.70 | \$4,641.70 |
| 208 | 64030000 | 1 | 2.5" RIGHT SIDE INLET | \$1,253.75 | \$1,253.75 |
| 209 | 61720100 | 1 | VALVE, AKRON HEAVY DUTY | \$0.00 | \$0.00 |
| 210 | 61770100 | 1 | ACTUATOR, VALVE, SWING HANDLE | \$0.00 | \$0.00 |
| 211 | 60036010 | 1 | THREADS, NST | \$0.00 | \$0.00 |
| 212 | 70525125 | 1 | 2.5" DISCHARGE, LEFT - POSITION 1 | \$1,337.38 | \$1,337.38 |

| Line | Item # | Qty | Item Description/Comments | Unit Price | Extended Price |
|------|----------|-----|--|------------|----------------|
| 213 | 61720100 | 1 | VALVE, AKRON HEAVY DUTY | \$0.00 | \$0.00 |
| 214 | 61770110 | 1 | ACTUATOR, VALVE, PUSH/PULL W/RACK& SECTOR | \$229.44 | \$229.44 |
| 215 | 77021010 | 1 | GAUGE, DISCH, INNOVATIVE CONTROLS 2.5" | \$0.00 | \$0.00 |
| 216 | 60036010 | 1 | THREADS, NST | \$0.00 | \$0.00 |
| 217 | 70525125 | 1 | 2.5" DISCHARGE, LEFT - POSITION 2 | \$1,337.38 | \$1,337.38 |
| 218 | 61720100 | 1 | VALVE, AKRON HEAVY DUTY | \$0.00 | \$0.00 |
| 219 | 61770110 | 1 | ACTUATOR, VALVE, PUSH/PULL W/RACK& SECTOR | \$229.44 | \$229.44 |
| 220 | 77021010 | 1 | GAUGE, DISCH, INNOVATIVE CONTROLS 2.5" | \$0.00 | \$0.00 |
| 221 | 60036010 | 1 | THREADS, NST | \$0.00 | \$0.00 |
| 222 | 71025140 | 1 | 4" DISCHARGE, RIGHT - POSITION 3 | \$2,471.25 | \$2,471.25 |
| 223 | 61720100 | 1 | VALVE, AKRON HEAVY DUTY | \$0.00 | \$0.00 |
| 224 | 61770200 | 1 | ACTUATOR, VALVE, AKRON HANDWHEEL | \$572.60 | \$572.60 |
| 225 | 77021010 | 1 | GAUGE, DISCH, INNOVATIVE CONTROLS 2.5" | \$0.00 | \$0.00 |
| 226 | 60036010 | 1 | THREADS, NST | \$0.00 | \$0.00 |
| 227 | 61840270 | 1 | ADAPTER, 4" NST FE X 5" STORZ W/CAP & CHAIN, TFT | \$259.35 | \$259.35 |
| 228 | 71025125 | 1 | 2.5" DISCHARGE, RIGHT - POSITION 4 | \$1,337.38 | \$1,337.38 |
| 229 | 61720100 | 1 | VALVE, AKRON HEAVY DUTY | \$0.00 | \$0.00 |
| 230 | 61770120 | 1 | ACTUATOR, VALVE, PUSH/PULL HANDLE, INNOVATIVE CONTROLS | \$0.00 | \$0.00 |
| 231 | 77021010 | 1 | GAUGE, DISCH, INNOVATIVE CONTROLS 2.5" | \$0.00 | \$0.00 |
| 232 | 60036010 | 1 | THREADS, NST | \$0.00 | \$0.00 |
| 233 | 72230212 | 1 | DISCHARGE 2.5" TO FRONT BUMPER (AERIALS) | \$5,669.51 | \$5,669.51 |
| 234 | 61720100 | 1 | VALVE, AKRON HEAVY DUTY | \$0.00 | \$0.00 |
| 235 | 61770420 | 1 | ACTUATOR, VALVE, ELECTRIC, AKRON 9323 | \$1,733.38 | \$1,733.38 |
| 236 | 77021010 | 1 | GAUGE, DISCH, INNOVATIVE CONTROLS 2.5" | \$0.00 | \$0.00 |
| 237 | 60036010 | 1 | THREADS, NST | \$0.00 | \$0.00 |

| Line | Item # | Qty | Item Description/Comments | Unit Price | Extended Price |
|------|----------|-----|---|-------------|----------------|
| 238 | 72811000 | 1 | ONE 2.5" CROSSLAY, 2.5" SWVL & TWO 2" CROSSLAYS W/1.5" SWIVEL | \$0.00 | \$0.00 |
| 239 | 61720100 | 3 | VALVE, AKRON HEAVY DUTY (3) | \$0.00 | \$0.00 |
| 240 | 61770420 | 3 | ACTUATOR, VALVE, ELECTRIC, AKRON 9323 (3) | \$1,733.38 | \$5,200.13 |
| 241 | 77021010 | 3 | GAUGE, DISCH, INNOVATIVE CONTROLS 2.5" (3) | \$0.00 | \$0.00 |
| 242 | 60036010 | 3 | THREADS, NST (3) | \$0.00 | \$0.00 |
| 243 | 72910520 | 1 | COVER, VINYL FOR CROSSLAYS (SPH) | \$616.59 | \$616.59 |
| 244 | 61742000 | 1 | MASTER PUMP DRAIN, MULTIPORT | \$0.00 | \$0.00 |
| 245 | 61730005 | 10 | DRAIN VALVES, INNOVATIVE CONTROLS, LIFT-UP (10) | \$0.00 | \$0.00 |
| 246 | 78521440 | 1 | WATERWAY CONTROL, 4" VALVE, AKRON 9325 ELECTRIC ACTUATOR | \$0.00 | \$0.00 |
| 247 | 61910100 | 1 | WATERWAY DRAIN VALVE, AKRON 1.5" PUSH/PULL CONTROL | \$0.00 | \$0.00 |
| 248 | 73570620 | 1 | FOAM SYSTEM, HALE SMARTFOAM 2.1A | \$10,708.83 | \$10,708.83 |
| 249 | 73531350 | 1 | FOAM TANK 20 GALLON BUILT INTO BOOSTER TANK | \$755.18 | \$755.18 |
| 250 | 73576705 | 1 | SELECTOR VALVE, HALE MST, MANUAL SINGLE (W/FLUSH) | \$2,005.26 | \$2,005.26 |
| 251 | 73575100 | 1 | FOAM REFILL SYSTEM, HALE EZ FILL 5GPM SINGLE | \$4,621.96 | \$4,621.96 |
| 252 | 73580024 | 1 | FOAM PLUMBED TO FOUR DISCHARGES (AERIALS) | \$1,912.50 | \$1,912.50 |
| 253 | 74920210 | 1 | SPH1 - SIDE MOUNT PUMP PANEL | \$0.00 | \$0.00 |
| 254 | 74930510 | 1 | PANEL FINISH, BRUSHED STS | \$711.78 | \$711.78 |
| 255 | 74931000 | 1 | ESCUTCHEON PLATES | \$0.00 | \$0.00 |
| 256 | 74931050 | 1 | COLOR CODING | \$0.00 | \$0.00 |
| 257 | 74931210 | 1 | PUMP MODULE FRAMEWORK, NON-PAINTED | \$0.00 | \$0.00 |
| 258 | 74931300 | 1 | PUMP FINISH, PAINTED BY SUTPHEN | \$0.00 | \$0.00 |
| 259 | 74931500 | 1 | PLUMBING FINISH, PAINTED | \$0.00 | \$0.00 |
| 260 | 75510210 | 1 | PUMP OPERATOR LIGHTS, TECNIQ E41 LED STRIP | \$132.94 | \$132.94 |
| 261 | 75530110 | 1 | PUMP PANEL LIGHTS OFFICER'S SIDE, TECNIQ E41 LED STRIP | \$257.94 | \$257.94 |
| 262 | 75532100 | 1 | ONE PUMP PANEL LIGHT W/PUMP ENGAGEMENT | \$91.98 | \$91.98 |

| Line | Item # | Qty | Item Description/Comments | Unit Price | Extended Price |
|------|----------|-----|--|------------|----------------|
| 263 | 75532150 | 1 | PUMP ENGAGE LIGHT, GREEN | \$118.59 | \$118.59 |
| 264 | 76010105 | 1 | PUMP PANEL GAUGES & CONTROLS | \$0.00 | \$0.00 |
| 265 | 60028050 | 1 | PUMP PRIMER, TRIDENT, AIR | \$0.00 | \$0.00 |
| 266 | 60028310 | 1 | (1) PRIMER BUTTON - MAIN SUCTION | \$0.00 | \$0.00 |
| 267 | 76025100 | 1 | COMPRESSION FITTINGS ON AIR SYSTEM (CTZ PUMP MODULE) | \$0.00 | \$0.00 |
| 268 | 76031950 | 1 | AIR OUTLET, DRIVER'S SIDE PUMP PANEL, WITH 25' OF HOSE | \$537.65 | \$537.65 |
| 269 | 76030600 | 1 | MC PUMP OVERHEAT W/ BUZZER ALARM | \$334.35 | \$334.35 |
| 270 | 76030400 | 1 | MC GAUGE HEATER BOX WITH FOUR TAPES | \$417.94 | \$417.94 |
| 271 | 76030401 | 6 | ADDITIONAL MC HEAT TAPES (6) | \$50.14 | \$300.83 |
| 272 | 76031850 | 1 | HOT WATER HEATER AT PUMP PANEL (AERIALS) | \$752.29 | \$752.29 |
| 273 | 76031900 | 1 | AIR HORN PUSH BUTTON SWITCH ON PUMP PANEL | \$167.16 | \$167.16 |
| 274 | 76521060 | 1 | GAUGES, MASTER, INNOVATIVE CONTROLS, 6" | \$334.35 | \$334.35 |
| 275 | 77510080 | 1 | GAUGE, WATER LEVEL, CLASS 1, INTELLI-TANK ITL-4 | \$0.00 | \$0.00 |
| 276 | 77532112 | 1 | GAUGE, WATER LEVEL, WHELEN PSTANK2 LED (2) | \$1,482.45 | \$1,482.45 |
| 277 | 77540155 | 1 | GAUGE, FOAM LEVEL, CLASS 1, INTELLI-TANK ITL-4 | \$830.81 | \$830.81 |
| 278 | 83525200 | 1 | WATER TANK BRAND, UPF | \$0.00 | \$0.00 |
| 279 | 83520205 | 1 | WATER TANK, 300 GAL, POLY (AERIALS) | \$0.00 | \$0.00 |
| 280 | 83588888 | 1 | SPECIAL ITEM, CHANGE TO 400 GALLON | \$1,000.00 | \$1,000.00 |
| 281 | 80117030 | 1 | BODY SPH-3, LEFT 56" H / RIGHT 56"H | \$7,003.75 | \$7,003.75 |
| 282 | 80029910 | 1 | BODY SUBFRAME, SPH100 | \$0.00 | \$0.00 |
| 283 | 80250100 | 2 | TURTLE TILE ON COMPT FLOOR, SHELF, TRAY OR DRAWER [L1] (2) | \$133.76 | \$267.53 |
| 284 | 81130200 | 1 | ADJUSTABLE SHELF [L2] (1) | \$250.76 | \$250.76 |
| 285 | 80250100 | 2 | TURTLE TILE ON COMPT FLOOR, SHELF, TRAY OR DRAWER [L2] (2) | \$133.76 | \$267.53 |
| 286 | 81130200 | 1 | ADJUSTABLE SHELF [L3] (1) | \$250.76 | \$250.76 |
| 287 | 81150200 | 1 | 250# SLIDE-MASTER SLIDE OUT/TILT DOWN DRAWER [L3] (1) | \$930.15 | \$930.15 |

| Line | Item # | Qty | Item Description/Comments | Unit Price | Extended Price |
|------|----------|-----|--|------------|----------------|
| 288 | 80250100 | 3 | TURTLE TILE ON COMPT FLOOR, SHELF, TRAY OR DRAWER [L3] (3) | \$133.76 | \$401.29 |
| 289 | 81130200 | 1 | ADJUSTABLE SHELF [L4] (1) | \$250.76 | \$250.76 |
| 290 | 81150000 | 1 | 250# ADJUSTABLE VERTICAL SLIDE-OUT PANEL [L4] (1) | \$1,091.20 | \$1,091.20 |
| 291 | 80250100 | 2 | TURTLE TILE ON COMPT FLOOR, SHELF, TRAY OR DRAWER [L4] (2) | \$133.76 | \$267.53 |
| 292 | 81150200 | 1 | 250# SLIDE-MASTER SLIDE OUT/TILT DOWN DRAWER [L5] (1) | \$930.15 | \$930.15 |
| 293 | 80250100 | 2 | TURTLE TILE ON COMPT FLOOR, SHELF, TRAY OR DRAWER [L5] (2) | \$133.76 | \$267.53 |
| 294 | 81150100 | 1 | 250# ROLL OUT DRAWER ADJUSTABLE TRACK [L6] (1) | \$1,069.03 | \$1,069.03 |
| 295 | 81150200 | 1 | 250# SLIDE-MASTER SLIDE OUT/TILT DOWN DRAWER [L6] (1) | \$930.15 | \$930.15 |
| 296 | 80250100 | 3 | TURTLE TILE ON COMPT FLOOR, SHELF, TRAY OR DRAWER [L6] (3) | \$133.76 | \$401.29 |
| 297 | 81130200 | 1 | ADJUSTABLE SHELF [R1] (1) | \$250.76 | \$250.76 |
| 298 | 81150000 | 1 | 250# ADJUSTABLE VERTICAL SLIDE-OUT PANEL [R1] (1) | \$1,091.20 | \$1,091.20 |
| 299 | 80250100 | 2 | TURTLE TILE ON COMPT FLOOR, SHELF, TRAY OR DRAWER [R1] (2) | \$133.76 | \$267.53 |
| 300 | 81130200 | 1 | ADJUSTABLE SHELF [R2] (1) | \$250.76 | \$250.76 |
| 301 | 80250100 | 2 | TURTLE TILE ON COMPT FLOOR, SHELF, TRAY OR DRAWER [R2] (2) | \$133.76 | \$267.53 |
| 302 | 81150050 | 2 | 250# ADJUSTABLE SWING-OUT TOOL BOARD [R3] (2) | \$1,768.59 | \$3,537.18 |
| 303 | 80250100 | 1 | TURTLE TILE ON COMPT FLOOR, SHELF, TRAY OR DRAWER [R3] (1) | \$133.76 | \$133.76 |
| 304 | 81130200 | 1 | ADJUSTABLE SHELF [R4] (1) | \$250.76 | \$250.76 |
| 305 | 81150000 | 1 | 250# ADJUSTABLE VERTICAL SLIDE-OUT PANEL [R4] (1) | \$1,091.20 | \$1,091.20 |
| 306 | 80250100 | 2 | TURTLE TILE ON COMPT FLOOR, SHELF, TRAY OR DRAWER [R4] (2) | \$133.76 | \$267.53 |
| 307 | 81130200 | 1 | ADJUSTABLE SHELF [R5] (1) | \$250.76 | \$250.76 |
| 308 | 80250100 | 2 | TURTLE TILE ON COMPT FLOOR, SHELF, TRAY OR DRAWER [R5] (2) | \$133.76 | \$267.53 |
| 309 | 81088888 | 1 | SPECIAL ITEM, SLIDE OUT LAZY SUSAN | \$1,750.00 | \$1,750.00 |
| 310 | 81150100 | 1 | 250# ROLL OUT DRAWER ADJUSTABLE TRACK [R6] (1) | \$1,069.03 | \$1,069.03 |
| 311 | 81150200 | 1 | 250# SLIDE-MASTER SLIDE OUT/TILT DOWN DRAWER [R6] (1) | \$930.15 | \$930.15 |
| 312 | 80250100 | 3 | TURTLE TILE ON COMPT FLOOR, SHELF, TRAY OR DRAWER [R6] (3) | \$133.76 | \$401.29 |

| Line | Item # | Qty | Item Description/Comments | Unit Price | Extended Price |
|------|----------|-----|---|------------|----------------|
| 313 | 80250100 | 1 | TURTLE TILE ON COMPT FLOOR, SHELF, TRAY OR DRAWER [A1] (1) | \$133.76 | \$133.76 |
| 314 | 81165705 | 1 | UNISTRUT TRACK IN COMPTS | \$0.00 | \$0.00 |
| 315 | 80220220 | 1 | COMPT DOORS, HINGED (ALUM) | \$0.00 | \$0.00 |
| 316 | 84531110 | 1 | COMPT LIGHTING, AMDOR LED LIGHT STRIPS, 2 PER COMPT | \$0.00 | \$0.00 |
| 317 | 81320205 | 1 | SPH 100 HOSEBED, ALUM FLOORING | \$0.00 | \$0.00 |
| 318 | 81410000 | 1 | COVER, VINYL, MAIN HOSE BED | \$1,003.05 | \$1,003.05 |
| 319 | 81332020 | 2 | HOSEBED LIGHTING, FEDERAL SIGNAL COMPLEX LED LIGHT STRIP (EA) (2) | \$289.06 | \$578.13 |
| 320 | 81910500 | 1 | HANDRAILS, KNURLED STS, SPH100 | \$0.00 | \$0.00 |
| 321 | 82014500 | 1 | STEPS, IC FOLD DOWN W/LIGHT (SPH) | \$0.00 | \$0.00 |
| 322 | 82510000 | 1 | RUB RAILS, ANODIZED ALUM | \$0.00 | \$0.00 |
| 323 | 83010125 | 1 | ALUMINUM TREADPLATE (SPH) | \$0.00 | \$0.00 |
| 324 | 80290101 | 1 | FIBERGLASS WHEEL WELL LINERS (SL100, SPH) | \$0.00 | \$0.00 |
| 325 | 80231260 | 1 | 7 SCBA CYLINDER COMPTS (TANDEM BODY) | \$1,461.48 | \$1,461.48 |
| 326 | 89020230 | 1 | LADDERS, ALCO-LITE (SPH) 115' 14', 16', 16', 24'-2sec, 35'-2sec & 10'F | \$0.00 | \$0.00 |
| 327 | 89030600 | 1 | LITTLE GIANT 13' LADDER (1) | \$628.78 | \$628.78 |
| 328 | 89530900 | 2 | MOUNTING OF EXTRA LADDER (EACH) (2) | \$1,671.71 | \$3,343.43 |
| 329 | 89530910 | 1 | MOUNTING OF ROOF LADDER ON BASE SECTION OF AERIAL (1) | \$1,178.96 | \$1,178.96 |
| 330 | 89512200 | 1 | LADDERS ENCLOSED IN HOSEBED ON BEAM (SPH) | \$0.00 | \$0.00 |
| 331 | 84550110 | 1 | LICENSE PLATE BRACKET W/ LIGHT, LED | \$62.45 | \$62.45 |
| 332 | 84511100 | 1 | BODY ELECTRICAL DESCRIPTION | \$0.00 | \$0.00 |
| 333 | 84520000 | 1 | BACK UP ALARM, ECCO SA917 | \$0.00 | \$0.00 |
| 334 | 85010420 | 1 | TAILLIGHTS, WHELEN M6 SERIES, LED STOP/TAIL/TURN/REVERSE, QUAD HOUSING (PAIR) | \$2,164.29 | \$2,164.29 |
| 335 | 85110100 | 1 | ICC LIGHTS, LED | \$457.86 | \$457.86 |
| 336 | 85130100 | 1 | MARKER LIGHTS, BRITAX, FLEXIBLE, LED (PAIR) | \$234.96 | \$234.96 |
| 337 | 85510205 | 1 | STEP LIGHTS, LED, WHELEN 2G AT PUMP PANEL & REAR BODY | \$530.15 | \$530.15 |

| Line | Item # | Qty | Item Description/Comments | Unit Price | Extended Price |
|------|----------|-----|--|------------|----------------|
| 338 | 85710020 | 1 | UNDERCARRIAGE GROUND LIGHTS, LED | \$727.95 | \$727.95 |
| 339 | 86528999 | 1 | DELETE REAR WORK LIGHTS | (\$168.35) | (\$168.35) |
| 340 | 85788888 | 1 | SPECIAL ITEM, ADD BRITAX LIGHTING TO PLATFORM | \$234.96 | \$234.96 |
| 341 | 86600000 | 1 | OPTICAL WARNING SYSTEM, UPPER | \$0.00 | \$0.00 |
| 342 | 86610200 | 1 | UPPER WARNING LIGHTS, ZONE A (FRONT), WHELEN FREEDOM IV 72" ROTA-BEAM LED LIGHT BAR, F4R, 10 MODULES | \$6,255.15 | \$6,255.15 |
| 343 | 86910110 | 1 | OPTICOM, INSTALLED IN LIGHT BAR, GTT 795H LED (FOR WHELEN LIGHTBAR) | \$1,842.38 | \$1,842.38 |
| 344 | 86699999 | 1 | UPPER WARNING LIGHTS, ZONE B (OFFICER'S SIDE), COVERED BY ZONES A & C | \$0.00 | \$0.00 |
| 345 | 86710200 | 1 | UPPER WARNING LIGHTS, ZONE C (REAR), WHELEN LED BEACONS, ROTA-BEAM R316*F (PAIR) | \$2,172.60 | \$2,172.60 |
| 346 | 86810200 | 1 | UPPER WARNING LIGHTS, ZONE C (REAR PLATFORM), WHELEN M6 LED, M6* (QTY 1) | \$399.45 | \$399.45 |
| 347 | 86899999 | 1 | UPPER WARNING LIGHTS, ZONE D (DRIVER'S SIDE), COVERED BY ZONES A & C | \$0.00 | \$0.00 |
| 348 | 87100000 | 1 | OPTICAL WARNING SYSTEM, LOWER | \$0.00 | \$0.00 |
| 349 | 87110310 | 1 | LOWER WARNING LIGHTS, ZONE A (FRONT), WHELEN 600 ROTA-BEAM LED, 6RB* (QTY 4) | \$2,572.70 | \$2,572.70 |
| 350 | 87811130 | 1 | LOWER, ZONE A - MOUNTING LOCATION (DUAL HOUSINGS) | \$0.00 | \$0.00 |
| 351 | 87210220 | 1 | LOWER WARNING LIGHTS, ZONE B (OFFICER'S SIDE), WHELEN M6 LED, M6* (QTY 4) | \$1,597.76 | \$1,597.76 |
| 352 | 87812140 | 1 | LOWER, ZONE B - MOUNTING LOCATION (SL100, SPH100) | \$0.00 | \$0.00 |
| 353 | 87310200 | 1 | LOWER WARNING LIGHTS, ZONE C (REAR), WHELEN M6 LED, M6* (QTY 2) | \$798.89 | \$798.89 |
| 354 | 87410220 | 1 | LOWER WARNING LIGHTS, ZONE D (DRIVER'S SIDE), WHELEN M6 LED, M6* (QTY 4) | \$1,597.76 | \$1,597.76 |
| 355 | 87814140 | 1 | LOWER, ZONE D - MOUNTING LOCATION (SL100, SPH100) | \$0.00 | \$0.00 |
| 356 | 87037238 | 1 | ADDITIONAL LIGHTBARS, WHELEN MINI FREEDOM IV 21" LED LIGHT BARS, F4NMINI (PAIR) | \$2,926.10 | \$2,926.10 |
| 357 | 87537734 | 4 | ADDITIONAL WARNING LIGHTS, WHELEN M6 LED, M6* (PAIR) (4) | \$798.89 | \$3,195.55 |
| 358 | 87040008 | 1 | TRAFFIC ADVISOR, WHELEN LED, TAL85 22" 2-PIECE | \$2,828.91 | \$2,828.91 |
| 359 | 88391100 | 1 | SCENE LIGHT, WHELEN PIONEER PFH1, 12V LED, BROW (1) | \$1,295.50 | \$1,295.50 |
| 360 | 88391110 | 2 | SCENE LIGHT, WHELEN PIONEER PFH1, 12V LED, RECESSED (2) | \$1,466.93 | \$2,933.85 |
| 361 | 86537816 | 1 | SCENE LIGHTS, WHELEN M9 LED, SURFACE MOUNT (PAIR) (1) | \$1,318.48 | \$1,318.48 |
| 362 | 88399940 | 4 | ADDITIONAL SWITCH, 3-WAY FOR 12V LIGHTS (EA) (4) | \$296.06 | \$1,184.25 |

| Line | Item # | Qty | Item Description/Comments | Unit Price | Extended Price |
|------|----------|-----|---|--------------|----------------|
| 363 | 86588888 | 1 | SPECIAL ITEM, TWO(2) PCH2P1B FLOOD LIGHTS | \$3,752.00 | \$3,752.00 |
| 364 | 88230221 | 1 | GENERATOR, SMART POWER, 10KW ER HYD, AERIALS | \$13,415.61 | \$13,415.61 |
| 365 | 88250400 | 1 | CIRCUIT BREAKER PANEL WITH 8 SPACES FOR GFI BREAKERS | \$488.04 | \$488.04 |
| 366 | 88251120 | 1 | BREAKER PANEL, STD LOCATION (L2) | \$0.00 | \$0.00 |
| 367 | 88250100 | 2 | 120 VOLT OUTLET W/WEATHERPROOF COVER - EACH (2) | \$334.35 | \$668.70 |
| 368 | 88232025 | 1 | AUTOMATIC TRANSFER SWITCH, PROGRESSIVE DYNAMICS, PD5100 | \$648.63 | \$648.63 |
| 369 | 88290000 | 1 | LOUVERED DOOR ON GENERATOR COMPARTMENT | \$334.35 | \$334.35 |
| 370 | 88431005 | 1 | HANNAY ECR-1614-17-18 REEL W/175' 12/3 (1) | \$2,993.78 | \$2,993.78 |
| 371 | 88432000 | 1 | AKRON FOUR-WAY RECEPTACLE BOX, WIRED TO REEL CABLE (1) | \$990.90 | \$990.90 |
| 372 | 88432100 | 1 | WOODHEAD FOUR-WAY RECEPTACLE BOX, WIRED TO REEL CABLE (1) | \$1,444.43 | \$1,444.43 |
| 373 | 88390602 | 2 | SCENE LIGHT, WHELEN PIONEER PFP1AC, LED, RECESSED, 120V (2) | \$1,666.19 | \$3,332.38 |
| 374 | 88390606 | 2 | SCENE LIGHT, WHELEN PIONEER PFP1AC, LED, TELESCOPIC, W/SWITCH, 120V (2) | \$2,233.99 | \$4,467.98 |
| 375 | 88390610 | 2 | SCENE LIGHT, WHELEN PIONEER PFP1AC, LED, 120V, FIXED/SWIVEL, UNDER PLATFORM (2) | \$2,019.29 | \$4,038.58 |
| 376 | 10040610 | 1 | MODEL SPH100, AERIAL COMPONENTS | \$833,343.75 | \$833,343.75 |
| 377 | 10201540 | 1 | ~METALS SURCHARGE - MODEL SPH100 | \$30,001.00 | \$30,001.00 |
| 378 | 94020236 | 1 | AERIAL TOWER ASSEMBLY, SPH100 | \$0.00 | \$0.00 |
| 379 | 94020310 | 1 | TURNTABLE ACCESS, LOWER LEFT, ZIAMATIC LADDER | \$0.00 | \$0.00 |
| 380 | 94020340 | 1 | TURNTABLE ACCESS, UPPER LEFT, LADDER | \$0.00 | \$0.00 |
| 381 | 94020360 | 1 | TURNTABLE ACCESS, UPPER RIGHT, FOLDING STEPS | \$103.81 | \$103.81 |
| 382 | 94020250 | 1 | INTERLOCK SYSTEM | \$0.00 | \$0.00 |
| 383 | 94020260 | 1 | ROTATION & SMART BOOM WARNING SYSTEM | \$0.00 | \$0.00 |
| 384 | 94020272 | 1 | HYDRAULIC SYSTEM - SPH100 | \$0.00 | \$0.00 |
| 385 | 94020900 | 1 | 12 VOLT AUXILIARY HYDRAULIC POWER | \$0.00 | \$0.00 |
| 386 | 94020286 | 1 | PEDESTAL CONTROLS, PROPORTIONAL TYPE, SPH100 | \$0.00 | \$0.00 |
| 387 | 94021212 | 1 | BOOM ASSEMBLY - SPH100 | \$0.00 | \$0.00 |

| Line | Item # | Qty | Item Description/Comments | Unit Price | Extended Price |
|------|----------|-----|--|-------------|----------------|
| 388 | 94020465 | 1 | AERIAL SPOT LIGHTS – (2) FIRETECH FT-WL-X-5-S-B, LED (SP95,100,110,SPH) | \$435.90 | \$435.90 |
| 389 | 94021326 | 1 | LADDER SPH 100 HIGH RAIL CABLE TRACK | \$0.00 | \$0.00 |
| 390 | 94020480 | 1 | LADDER LIGHTING SYSTEM, RIGID, LED (SP95, 100, 110, SPH) | \$3,034.69 | \$3,034.69 |
| 391 | 94021337 | 1 | HYDRAULIC CYLINDERS - SPH 100 | \$0.00 | \$0.00 |
| 392 | 94021344 | 1 | AERIAL TOWER WATERWAY - 110 & SPH 100 | \$0.00 | \$0.00 |
| 393 | 94021027 | 1 | OUTRIGGER GROUND JACKS, MANUAL CONTROL, W/FRONT JACKS - SPH100 | \$0.00 | \$0.00 |
| 394 | 93910012 | 1 | JACK PADS, BLACK - SPH100 | \$0.00 | \$0.00 |
| 395 | 94021340 | 1 | OPERATIONAL TEST - AERIAL PLATFORMS | \$0.00 | \$0.00 |
| 396 | 94040051 | 1 | LADDER TEST, MISTRAS GROUP, INC | \$0.00 | \$0.00 |
| 397 | 94088888 | 1 | SPECIAL ITEM, SIDE WINDER SYSTEM | \$8,800.00 | \$8,800.00 |
| 398 | 94210016 | 1 | 4-DOOR PLATFORM, SPH | \$0.00 | \$0.00 |
| 399 | 94210014 | 1 | PLATFORM ACCESS LADDER | \$0.00 | \$0.00 |
| 400 | 94210318 | 1 | PLATFORM BOOM CONTROLS, PROPORTIONAL TYPE, SPH/SPI112 | \$0.00 | \$0.00 |
| 401 | 94210340 | 1 | PLATFORM CONTROL COVER, VINYL | \$0.00 | \$0.00 |
| 402 | 94210280 | 1 | DELETE PLATFORM SPOT LIGHT | (\$93.75) | (\$93.75) |
| 403 | 94210350 | 1 | 120 VOLT OUTLET IN PLATFORM | \$0.00 | \$0.00 |
| 404 | 94210802 | 1 | 75 GPM WATER CURTAIN FOR SPH 100 or SPI112 | \$0.00 | \$0.00 |
| 405 | 94210705 | 1 | YOKE OUTLETS - SPH100 | \$0.00 | \$0.00 |
| 406 | 94288888 | 1 | SPECIAL ITEM, WHELEN INTERIOR PLATFORM LIGHTING | \$1,196.00 | \$1,196.00 |
| 407 | 94210544 | 1 | MONITOR, DS, TFT MONSOON RC, ELEC, W/ ELEC VUM, (2) PANEL CONTROLLERS & (1) WIRELESS CONTROLLER, INCLUDES TFT MASTER STREAM 1250 GPM ELEC NOZZLE | \$12,241.90 | \$12,241.90 |
| 408 | 94210545 | 1 | MONITOR, OS, TFT MONSOON RC, ELEC, W/ ELEC VUM, (2) PANEL CONTROLLERS & (1) WIRELESS CONTROLLER, INCLUDES TFT MASTER STREAM 1250 GPM ELEC NOZZLE | \$12,241.90 | \$12,241.90 |
| 409 | 94210997 | 1 | INTERCOM SYSTEM, FRC ACT 2-STATION | \$0.00 | \$0.00 |
| 410 | 94211150 | 1 | PLATFORM AIR SYSTEM W/ 6000 PSI DOT AIR TANK | \$835.86 | \$835.86 |
| 411 | 94270510 | 1 | BREATHING AIR TANK LOCATION, TURNTABLE, OFFICER'S SIDE | \$0.00 | \$0.00 |

| Line | Item # | Qty | Item Description/Comments | Unit Price | Extended Price |
|------|----------|-----|---|------------|----------------|
| 412 | 94270000 | 1 | BREATHING AIR SYSTEM W/3RD STATION @PEDESTAL | \$1,838.90 | \$1,838.90 |
| 413 | 94210017 | 1 | PARAPET LADDER, SPH100 | \$2,964.91 | \$2,964.91 |
| 414 | 94280150 | 1 | STOKES ARMS, SPH100 PLATFORM | \$889.49 | \$889.49 |
| 415 | 94295001 | 1 | SINGLE LIFTING EYE, 800 LB. | \$365.96 | \$365.96 |
| 416 | 89910000 | 1 | CORROSION REDUCTION PROGRAM (SPECS) | \$0.00 | \$0.00 |
| 417 | 90010030 | 1 | STAINLESS PAINT SCHEME - CORP AERIALS | \$0.00 | \$0.00 |
| 418 | 90030006 | 1 | TWO TONE CAB WITH SPECIAL PAINT BREAK LINE | \$1,984.04 | \$1,984.04 |
| 419 | 90030159 | 1 | PAINT FRAME RAILS, FUEL BEAM, BODY REAR DROP & LOWER AERIAL COMPONENTS - BLACK (TANDEM) | \$0.00 | \$0.00 |
| 420 | 90030032 | 1 | PAINT, TURNTABLE, SIDE PLATES & LIFT CYLINDER OTHER THAN SILVER | \$5,243.44 | \$5,243.44 |
| 421 | 90030034 | 1 | PAINT, LADDER SHEAVE BEAMS, EXT CYLINDER & YOKE OTHER THAN SILVER | \$3,372.61 | \$3,372.61 |
| 422 | 90030015 | 1 | A/C CONDENSER PAINTED ROOF COLOR | \$357.00 | \$357.00 |
| 423 | 90510150 | 1 | 3" LETTERING, SCOTCHLITE, UP TO 40 | \$951.73 | \$951.73 |
| 424 | 90530205 | 30 | ADDITIONAL 3" SCOTCHLITE LETTERS (EACH) (30) | \$13.75 | \$412.50 |
| 425 | 90574100 | 1 | INSTALL FIRE DEPT EMBLEMS (Pair) | \$117.91 | \$117.91 |
| 426 | 90610210 | 1 | 6" SCOTCHLITE STRIPE AROUND TRUCK (TANDEM) | \$741.24 | \$741.24 |
| 427 | 90630405 | 1 | MITER EDGED "Z" STRIPE | \$323.04 | \$323.04 |
| 428 | 90630110 | 2 | 1" SCOTCHLITE STRIPE ABOVE OR BELOW - EACH (TANDEM) (2) | \$696.55 | \$1,393.10 |
| 429 | 90681120 | 1 | CHEVRON STRIPING, REAR BODY OUTBOARD, REFLEXITE (Aerial Platforms) | \$647.06 | \$647.06 |
| 430 | 90681420 | 1 | CHEVRON STRIPING, REAR PLATFORM OUTBOARD, REFLEXITE | \$550.01 | \$550.01 |
| 431 | 90670020 | 1 | CHEVRON STRIPING, FRONT BUMPER, REFLEXITE | \$663.24 | \$663.24 |
| 432 | 90710075 | 1 | BOOM SIGN, APPROX 88" X 26" | \$323.04 | \$323.04 |
| 433 | 90720130 | 1 | 12" LETTERING FOR BOOM SIGN | \$775.31 | \$775.31 |
| 434 | 91010000 | 1 | MISC EQUIP - (1) PINT TOUCH-UP PAINT, STAINLESS STEEL NUTS & BOLTS | \$0.00 | \$0.00 |
| 435 | 91030702 | 1 | ZIAMATIC SAC-44 FOLDING WHEEL CHOCKS (PAIR) MTD IN REAR LADDER ACCESS AREA (SPH) | \$835.86 | \$835.86 |
| 436 | 91082800 | 4 | ATLAS #531 POMPIER LIFE BELT EACH (4) | \$239.08 | \$956.30 |

| Line | Item # | Qty | Item Description/Comments | Unit Price | Extended Price |
|------|-----------|-----|--|----------------|-----------------------|
| 437 | 91070510 | 1 | HOSE BOXES (A & B) | \$2,374.81 | \$2,374.81 |
| 438 | 89050100 | 1 | PIKE POLE STORAGE TUBES, (3) EA SIDE | \$0.00 | \$0.00 |
| 439 | 89030260 | 2 | PIKE POLE, NUPLA 8' (2) | \$164.58 | \$329.15 |
| 440 | 89030360 | 2 | PIKE POLE, NUPLA 10' I-BEAM (2) | \$179.31 | \$358.63 |
| 441 | 89030460 | 2 | PIKE POLE, NUPLA 12' I-BEAM (2) | \$194.05 | \$388.10 |
| 442 | 92067500 | 4 | STREAMLIGHT SL-20X (#26120) W/12V CHARGER (4) | \$284.71 | \$1,138.85 |
| 443 | 91230150 | 1 | AXE, FLAT HEAD, 6 LB. FIBERGLASS, W/CHROME MTG (1) | \$150.44 | \$150.44 |
| 444 | 91230250 | 1 | AXE, PICK HEAD, 6 LB. FIBERGLASS, W/CHROME MTG (1) | \$175.51 | \$175.51 |
| 445 | 99010000 | 1 | MANUALS (1-PRINTED & 1-CD) WITH DVD | \$0.00 | \$0.00 |
| 446 | 99030100 | 1 | ADDITIONAL MANUFACTURER'S MANUAL (1) | \$254.93 | \$254.93 |
| 447 | 99031110 | 1 | DELIVERY, AERIAL APPARATUS | \$0.00 | \$0.00 |
| 448 | 99032000 | 3 | ~OPERATIONAL DEMONSTRATION - PER DAY (3) | \$1,324.13 | \$3,972.39 |
| 449 | 99040200 | 1 | ~DEALER PREP/INSPECTION | \$2,500.00 | \$2,500.00 |
| 450 | 99510320 | 1 | WARRANTY, 2 YR. OR 30,000 MILES - AERIALS (DUBLIN) | \$0.00 | \$0.00 |
| 451 | 99999100 | 1 | NOTATIONS | \$0.00 | \$0.00 |
| 452 | 99999996 | 1 | TOTAL APPLICABLE FOR DISCOUNT | \$1,515,950.81 | \$1,515,950.81 |
| 453 | 99999997 | 1 | DISCOUNT AMOUNT (15%) | (\$227,392.62) | (\$227,392.62) |
| 454 | 99999998 | 1 | NOT APPLICABLE FOR DISCOUNT | \$73,164.35 | \$73,164.35 |
| 455 | 99999999 | | TOTAL TRUCK PRICE | | \$1,361,722.54 |
| 456 | PDB000219 | 1 | SHELVING - CONTINGENCY | \$10,000.00 | \$10,000.00 |
| 457 | PDB000219 | 1 | DEALER SUPPLIED - OTHER - DEALER SUPPLIED HURST TOOLS QUOTE # 05/13/19-1 | \$38,500.00 | \$38,500.00 |
| 458 | PDB000219 | 1 | DEALER SUPPLIED - OTHER - APOLLO QUOTE #0513195,# QUOTE 0516191 LOOSE EQUIPMENT AND MOUNTING 5/24/2019 | \$94,580.99 | \$94,580.99 |
| 459 | | 1 | COOPERATIVE PURCHASING AGENCY FEES | \$2,000.00 | \$2,000.00 |
| 460 | 10000410 | 1 | PERFORMANCE BOND | \$6,019.21 | \$6,019.21 |
| | | | | Total | \$1,512,822.74 |



QUOTATION

Apollo Fire Equipment Company
Apollo Fire Apparatus Repair, Inc.
 12584 Lakeshore Drive, Romeo, MI 48065
 Phone: (800) 626-7783 Fax: (586) 752-6907

DATE: 5/13/19
TERMS: New Truck Deal - Aerial
F.O.B.:
VALID FOR:
LEAD TIME:

QUOTE #: 0513195

BILL TO: Novi Fire Dept.
ADDRESS:
ATTN: Mark Theisen

SHIP TO: Novi Fire Dept.
ADDRESS:
ATTN: Mark Theisen

PHONE: **FAX:** **E-MAIL:**

| QTY | PART NUMBER | DESCRIPTION | UNIT PRICE | TOTAL |
|-----|------------------|---|------------|------------|
| 4 | FHAX-08 | Red Head flathead axe, 8#, fiberglass handle | \$99.00 | \$396.00 |
| 4 | PHAX-08 | Red Head pickhead axe, 8#, fiberglass handle | \$102.00 | \$408.00 |
| 2 | SLED-12 | Red Head sledgehammer, 12#, fiberglass handle | \$54.00 | \$108.00 |
| 1 | BC-36 | Fire Hooks Unlimited bolt cutters, 36" | \$94.00 | \$94.00 |
| 1 | BC-24 | Fire Hooks Unlimited bolt cutters, 24" | \$62.00 | \$62.00 |
| 4 | 148-3 | Red Head wrench set, includes style 105 adjustable hydrant wrench, two 101 spanner wrenches & mount | \$139.00 | \$556.00 |
| 4 | A-ASWH | Action (4) double ended Storz spanner wrenches w/ holder | \$38.00 | \$152.00 |
| 4 | ELRE-SCOUT-2B-DC | Akron Revel Scout scene light w/ two batteries & charger | \$1,554.00 | \$6,216.00 |
| 8 | 44315 | Streamlight Vulcan 180 vehicle mount system, orange | \$200.00 | \$1,600.00 |
| 1 | KTKIT | Fire Hooks Unlimited K-Tool kit | \$148.00 | \$148.00 |
| 1 | 32911 | Steck BigEasy PUBLIC SAFETY LOCKOUT KIT (Blue) | \$99.99 | \$99.99 |
| 1 | 32935 | Steck BigEasy PUBLIC SAFETY LOCKOUT BAG | \$35.00 | \$35.00 |
| 1 | 22 | Little Giant Ladder Defender Firefighter ladder, type 1A | \$736.00 | \$736.00 |
| 5 | PT175X50GEN | NAFHC Poly-Tuff 800, 1 3/4", 50 ft., 1 1/2" NH cplgs., green | \$136.00 | \$680.00 |
| 5 | PT175X50BEN | NAFHC Poly-Tuff 800, 1 3/4", 50 ft., 1 1/2" NH cplgs., blue | \$136.00 | \$680.00 |
| 7 | PT175X50OEN | NAFHC Poly-Tuff 800, 1 3/4", 50 ft., 1 1/2" NH cplgs., orange | \$136.00 | \$952.00 |
| 3 | PT175X10OEN | NAFHC Poly-Tuff 800, 1 3/4", 10 ft., 1 1/2" NH cplgs., orange | \$136.00 | \$408.00 |
| 4 | PT25X50REN | NAFHC Poly-Tuff 800, 2 1/2", 50 ft., 2 1/2" NH cplgs., orange | \$184.00 | \$736.00 |
| 5 | PF5X100YRS | NAFHC Poly-Flow 600 LDH, 5", 100 ft., 5" Storz cplgs., yellow | \$840.00 | \$4,200.00 |
| 3 | PF5X25YRS | NAFHC, Poly-Flow 600 LDH, 5", 25 ft., 5" Storz cplgs., yellow | \$404.00 | \$1,212.00 |
| 3 | PF5X50YRS | NAFHC, Poly-Flow 600 LDH, 5", 50 ft., 5" Storz cplgs., yellow | \$516.00 | \$1,548.00 |
| 7 | 1720 | Akron Turbojet nozzle w/ PG, 1 1/2" NHF, 30-60-95-125 GPM, 75 PSI | \$757.00 | \$5,299.00 |
| 2 | 1733 | Akron Turbojet nozzle w/ PG, 2 1/2" NHF, 125-150-200-250 GPM | \$927.00 | \$1,854.00 |
| 3 | 2581 | Akron gated wye, 2 1/2" NHF x (2) 1 1/2" NHM | \$377.00 | \$1,131.00 |
| 1 | PA1 | TFT Transformer piercing nozzle kit | \$715.00 | \$715.00 |

| | | | | |
|---|------------------|--|--------------|--------------------|
| 1 | 910-1824 | Tempest VS-1 battery PPV fan w/ one battery | \$4,180.00 | \$4,180.00 |
| 1 | 585-015 | Tempest VS-1 battery | \$872.00 | \$872.00 |
| 1 | 910-1040 | Tempest belt driven PPV fan, Honda GX engine, 21" | \$2,558.00 | \$2,558.00 |
| 1 | 726101 | CMC rescue litter, square | \$1,163.00 | \$1,163.00 |
| 1 | 724131 | CMC rescue litter harness | \$163.00 | \$163.00 |
| 1 | 724151-01 | CMC patient tie-in system, one piece litter | \$258.00 | \$258.00 |
| 3 | P130_0092 | Sterling HTP Static rope, 1/2", 300 ft., color: TBD | \$296.00 | \$888.00 |
| 1 | 500102 | CMC Rescue CSR2 pulley system, 1/2" | \$1,371.00 | \$1,371.00 |
| 1 | 271777000 | Hurst eDRAULIC SP777E2 spreader package | \$11,900.00 | \$11,900.00 |
| 3 | 272085412 | Hurst A/C power supply adapter | \$700.00 | \$2,100.00 |
| 1 | 272799000 | Hurst eDRAULIC S799E2 cutter package | \$11,300.00 | \$11,300.00 |
| 1 | 274085000 | Hurst eDRAULIC R421E2 ram package | \$8,000.00 | \$8,000.00 |
| 1 | 22-889048G2 | Paratech model 48 three lift bag set | \$3,600.00 | \$3,600.00 |
| 1 | 22-890351G2-150 | Paratech air lifting bag basic control kit G2-150 | \$1,600.00 | \$1,600.00 |
| 1 | 1457E410KA | Master Lock Safety Lockout Personal Lockout Kit - Medium | \$316.00 | \$316.00 |
| 2 | PIKE-096-0S-ST-0 | Red Head pike pole, 8 ft. fiberglass, standard hook | \$66.00 | \$132.00 |
| 2 | PIKE-120-0S-ST-0 | Red Head pike pole, 10 ft. fiberglass, standard hook | \$71.00 | \$142.00 |
| 2 | PIKE-144-0S-ST-0 | Red Head pike pole, 12 ft. fiberglass, standard hook | \$80.00 | \$160.00 |
| 1 | 6252 | Stryker Stair-Pro with standard options | \$4,150.00 | \$4,150.00 |
| | | | SUBTOTAL | \$84,878.99 |
| NOTE: IT IS CUSTOMER'S RESPONSIBILITY TO VERIFY THREAD TYPE PRIOR TO PLACING AN ORDER. SPECIAL THREADED ITEMS (I.E. DETROIT STANDARD THREAD) ARE NOT RETURNABLE. | | | SHIPPING | N/A |
| | | | TAX | N/A |
| | | | OTHER | N/A |
| | | | TOTAL | \$84,878.99 |

Austin Surprenant, Sales Coordinator

(586) 752-1800

asurp@apollofire.com



QUOTATION

Apollo Fire Equipment Company
Apollo Fire Apparatus Repair, Inc.
 12584 Lakeshore Drive, Romeo, MI 48065
 Phone: (800) 626-7783 Fax: (586) 752-6907

| | |
|-------------------|-------------------------|
| DATE: | 5/16/19 |
| TERMS: | New Truck Deal - Aerial |
| F.O.B: | Apollo |
| VALID FOR: | |
| LEAD TIME: | |

QUOTE #: 0516191

| | |
|-----------------|-----------------|
| BILL TO: | Novi Fire Dept. |
| ADDRESS: | |
| ATTN: | Mark Theisen |

| | |
|-----------------|-----------------|
| SHIP TO: | Novi Fire Dept. |
| ADDRESS: | |
| ATTN: | Mark Theisen |

| | | |
|---------------|-------------|----------------|
| PHONE: | FAX: | E-MAIL: |
|---------------|-------------|----------------|

| QTY | PART NUMBER | DESCRIPTION | UNIT PRICE | TOTAL |
|-------|-------------|--|------------|------------|
| 4 | H-AB | Ziamatic axe holder - painted (force axe) | \$49.00 | \$196.00 |
| 4 | VM-AHB | Ziamatic axe handle bracket (force axe) | \$41.00 | \$164.00 |
| 3.50 | LABOR | Labor hour, installation of above mount(s) | \$88.00 | \$308.00 |
| 4 | H-AB | Ziamatic axe holder - painted (force axe) | \$49.00 | \$196.00 |
| 4 | VM-AHB | Ziamatic axe handle bracket (force axe) | \$41.00 | \$164.00 |
| 3.50 | LABOR | Labor hour, installation of above mount(s) | \$88.00 | \$308.00 |
| 2 | K5010-12 | PAC sledgehammer mounting kit | \$81.00 | \$162.00 |
| 0.75 | LABOR | Labor hour, installation of above mount(s) | \$88.00 | \$66.00 |
| 1 | K5029-1 | PAC bolt cutters mounting kit | \$51.00 | \$51.00 |
| 0.75 | LABOR | Labor hour, installation of above mount(s) | \$88.00 | \$66.00 |
| 1 | K5029-1 | PAC bolt cutters mounting kit | \$51.00 | \$51.00 |
| 0.75 | LABOR | Labor hour, installation of above mount(s) | \$88.00 | \$66.00 |
| 3.00 | LABOR | Labor hour, installation of (4) Red Head 148-3 spanner/hydrant wrench sets | \$88.00 | \$264.00 |
| 3.00 | LABOR | Labor hour, installation of (4) Action A-AWSH spanner sets | \$88.00 | \$264.00 |
| 4 | SCOUT-MT | Akron Revel Scout mounting bracket | \$173.00 | \$692.00 |
| 1.25 | LABOR | Labor hour, installation of above mount(s) | \$88.00 | \$110.00 |
| 12.00 | LABOR | Labor hour, installation of (4) Akron Revel Scout chargers | \$88.00 | \$1,056.00 |
| 9.00 | LABOR | Labor hour, installation of (8) Streamlight 44315 Vulcan 180s | \$88.00 | \$792.00 |
| 1 | CUSTOM | Custom aluminum diamond plate holder (Little Giant Ladder) | \$426.00 | \$426.00 |
| 1 | 1050 | PAC Super Adjustamount (Little Giant Ladder) | \$58.00 | \$58.00 |
| 2.25 | LABOR | Labor hour, installation of above mount(s) | \$88.00 | \$198.00 |
| 7 | QL48Z15C | South Park Quic-Loc mounting bracket, 1 1/2" (nozzles) | \$36.00 | \$252.00 |
| 2.75 | LABOR | Labor hour, installation of above mount(s) | \$88.00 | \$242.00 |
| 2 | QL48Z25C | South Park Quic-Loc mounting bracket, 2 1/2" (nozzles) | \$36.00 | \$72.00 |
| 0.75 | LABOR | Labor hour, installation of above mount(s) | \$88.00 | \$66.00 |

| | | | | |
|---|----------------|---|--------------|-------------------|
| 3 | QL48Z25C | South Park Quic-Loc mounting bracket, 2 1/2" (gated wyes) | \$36.00 | \$108.00 |
| 1.50 | LABOR | Labor hour, installation of above mount(s) | \$88.00 | \$132.00 |
| 1 | PPSP777E2 | Plastix Plus horizontal mounting bracket for Hurst SP777E2 spreader | \$233.00 | \$233.00 |
| 1.00 | LABOR | Labor hour, installation of above mount(s) | \$88.00 | \$88.00 |
| 3 | PPHUR-CORD-BKT | Plastix Plus mount for Hurst A/C power supply | \$111.00 | \$333.00 |
| 1.00 | LABOR | Labor hour, installation of above mount(s) | \$88.00 | \$88.00 |
| 1 | PPS799E2 | Plastix Plus horizontal mounting bracket for Hurst S799E2 cutter | \$210.00 | \$210.00 |
| 1.00 | LABOR | Labor hour, installation of above mount(s) | \$88.00 | \$88.00 |
| 1 | PPR421E2 | Plastix Plus mounting bracket for Hurst R421E2 ram | \$210.00 | \$210.00 |
| 1.00 | LABOR | Labor hour, installation of above mount(s) | \$88.00 | \$88.00 |
| 1 | K5060 | PAC Super Adjustamount extended kit (lockout tagout kit) | \$82.00 | \$82.00 |
| 0.75 | LABOR | Labor hour, installation of above mount(s) | \$88.00 | \$66.00 |
| 1 | 610-1816 | Tempest VS-1 mount kit, includes battery rack & charger, 12V | \$910.00 | \$910.00 |
| 1.75 | LABOR | Labor hour, installation of above mount(s) | \$88.00 | \$154.00 |
| 1 | UMVS-1116-11 | Ziamatic variable strap, 11" - 16" | \$27.00 | \$27.00 |
| 0.75 | LABOR | Labor hour, installation of above mount(s) | \$88.00 | \$66.00 |
| 1 | CUSTOM | Apollo custom fabricated mount (Stryker Chair-Pro) | \$681.00 | \$681.00 |
| 0.50 | LABOR | Labor hour, installation of above mount(s) | \$88.00 | \$44.00 |
| | | *NOTE: ALL installation to be done at Apollo facility in Romeo, MI | | |
| | | | SUBTOTAL | \$9,702.00 |
| NOTE: IT IS CUSTOMER'S RESPONSIBILITY TO VERIFY THREAD TYPE PRIOR TO PLACING AN ORDER. SPECIAL THREADED ITEMS (I.E. DETROIT STANDARD THREAD) ARE NOT RETURNABLE. | | | SHIPPING | N/A |
| | | | TAX | N/A |
| | | | OTHER | N/A |
| | | | TOTAL | \$9,702.00 |

Austin Surprenant, Sales Coordinator
(586) 752-1800
asurp@apollofire.com

SUTPHEN SPH100 MID-MOUNT AERIAL PLATFORM

ADVANTAGES & KEY FEATURES

Experience and focus. In the early 1960's Sutphen developed the forerunner of the aerial tower that you see today. In those 53 years, thousands of our aerials have been sold worldwide. The vast majority of those aerials are still in service. The Sutphen Corporation continues to enhance, refine, and re-invent the mid-mount concept. It is the only turntable/aerial arrangement that we build.

When it comes to aerials, our entire company focus is to build the best and safest mid mounted aerials and platforms. It is never an afterthought, nor simply another model to keep up with the competition.

It is what we do.

"Sutphen annual aerial sales account for nearly 70% of the total mid-mount aerials sold nationwide. Conversely, nine other manufacturers share the remaining 30%"

CHASSIS FEATURES:

Experience – Sutphen has been building its own custom fire chassis, since the early 1970's. In nearly every case, Sutphen has been building the chassis, and aerials longer than most of our competitors have been in business.

- **Dimensions** – 230" wheelbase, 46' length, both are the shortest in industry. A truck with a 230" wheelbase has an outside turning radius of 39' 3 ½ ", whereas a truck with a 258" wheelbase has an outside turning radius of 46' 1". Some aerials have as much as a 270" wheel base with an approximately 49' turning radius. Sutphen overall length – 45' 9 ¾", others – 46' 4 ¾"
- **Weight** – In service typically 68,000 lbs; 5-10 **TONS** Lighter than our competition.
- **Low Center of Gravity** – Our physically calculated, third party certified Center of Gravity is 42 inches from the ground. In rough terms, near the center of the 6" steamer caps.
- **Shorter Stopping Distance** -Same size brake components as the competitors, but our overall lighter weight = shorter stopping distance.
- **Better Acceleration** – Lighter weight = faster acceleration
- **Superior Maneuverability** - When driving a mid-mount it is far easier to allow the platform to follow you through vs. trying to push it through. In all actuality the rear swing of a mid mount is only a few inches more than that of a rear mount.

- **Reduced Maintenance Cost** – Cost of ownership is less with a Sutphen! A truck that weighs less means less wear and tear on the driveline components, axles, u-joints, engine and transmission, and allows for longer brake shoe /pad life, and increased tire life.
- **Steel Cab Subframe** - Only cab tilt system, to utilize a steel box tube underframe, the underframe provided increased crash protection and removes any strain placed on the aluminum cab
- **Severe Duty Cabs** – Cabs are built from heavy wall 6061 T6 aluminum extrusions and 5052 H32 3/16" alum plate. All cabs are fully crash certified meeting all applicable ASME, and ECE test standards.
- **Cab Length** - Three cab lengths available; 56, 62, and 73" as measured from the center axle to the back cab wall.
- **Raised Roof Cab** – Full width 10" of 15" raised roof cabs are available. No need for notches.

Convenient Engine Access - Mid mounted turntable, allows the cab to be tilted without raising the aerial. (With a rear mount, you may have to pull the truck outside in the winter to do this.)

- **Side Roll Protection** – Roll Tek side roll protection air bag systems are available.
- **Frontal Crash Protection** – A heavy duty 12" 10 gauge stainless steel bumper with full width 1/4 " bumper backing plate is provided for extra crash protection. Standard bumper extensions are 6", 12", 18", and 24". Painted structural steel channel bumpers are also available.
- **Heavy Duty Interior** - Virtually no ABS plastic trim, well appointed, yet very durable
 - Full length stainless steel interior door panels standard.
 - Durawear interior heavy duty headliners and back wall
 - Bostrom Secure All SCBA mounting system with Durawear covered seats

AERIAL BOOM & PLATFORM FEATURES

- **Strongest Boom** – The Sutphen boom is a four sided box truss design constructed from 6061 T6 aluminum alloy, and mechanically fastened using the Alcoa Huck fastening system. This complete boom system provides an unmatched structural safety factor of 3 to 1. Most other manufacturers are 2 to 1 at best.
- **Compact Boom** – A 5-Section boom enables the aerial to come out of the cradle and straight to the roof or window directly. This is extremely important in today's crowded urban environment. A typical three section aerial is 1/3 longer, needing much more room for maneuvering to get out of the cradle.
- **Highest Wind Load** - All Sutphen platforms are rated for 50 MPH winds; a direct testament to the box boom's strength.
- **No Load Chart** – What does this mean? Simply put, the aerial will operate at full capacity anywhere within the operating envelope. This is regardless of elevation or extension.
- **It's All Inside** - The Sutphen waterway, electrical cables, and breathing air hoses are completely enclosed inside the box boom, providing excellent protection for those systems. The Sutphen aerial tower may be nested against a roof cornice or building, if necessary, without causing costly repairs to the waterway unlike most other designs.
- **Superior Driver Visibility** - No aerial platform to hang over the front of the truck, blocking street corner poles or traffic lights.
- **Faster Spotting Time** - Mid mounted turntable and top hinged heel pivot = a quicker trip to the window. This gives the truck company more options on scene.
- **Centralized Jack Controls** - Fastest set-up time in the industry. Only one out and down jack each side. All significant control stations (i.e. cab, jacking, pump, and turntable controls) are located within 12 feet of each other. After setting the parking brake at the scene, the Sutphen platform can be airborne in 40 seconds or less. Most competitors take at least three minutes.
- **Climbing Ladder** - is built as an additional structure over the boom. Excellent climbing ladder on all Sutphen high rail models. The Sutphen ladder footing area has no K-bracing to obstruct foot placement as with most other designs.

- **Lower Maintenance Cost** - Boom is constructed of 6061-T6 aluminum. Non-corrosive, never needs paint, and won't rust. Slide blocks are constructed from Ultra High Molecular Weight Polyethylene (UHMWP), which require little to no maintenance. Mc Lube dry lube on aerial, no grease to collect road grit and cause undue wear.

Composite bushings in cylinder pivots eliminate the need to grease, simplifying maintenance.

- **Lower Hydraulic Pressure** - The hydraulic system operates with lower hydraulic pressure and lower heat because of the lower weight of the aerial device.
- **Displays and Controls.** All displays and control panels are laid out in a user friendly manner, and backlit for nighttime use.
- **Rotation Safety Systems** - A rotation interlock system allows the aerial to be safely short jacked. And a crush avoidance system monitors the position of the aerial boom in relationship to the cab, body and any other obstructions.
- **Precision Aerial Operation** - Feather ease controls, allow the aerial operator the choice of high speed, normal & low range speed control. A "creep" speed switch allows the operator to make pin-point adjustments when working close to buildings or other obstructions. Additionally Sutphen's patented rotation system consists of a Perfection gear box, Winsmith rotational flywheel motor which is designed with built in coast feature to eliminate all lateral deflection of platform and aerial.
- **Large Platform** - 73" wide x 40" deep, 19.5 sq. ft. 1000 lb dry capacity, 500 lb wet capacity (3-1 safety factor)
- **Safe Platform** - Similar to a Ferris Wheel, the Sutphen platform is suspended from a yoke assembly that is attached on both sides of the platform, slightly over center. In the unlikely event that the leveling system suffers a catastrophic failure you cannot be pitched forward and out.
- **Safety Inside the Platform** - Platform doors are solidly re-enforced with heavy duty door stops and latches. Four (4) extra large tie off points are provided inside the platform, to attach ladder belts to.
- **Stokes Rack** - Easy to use stokes basket arms are located under the front of platform. The patient tender can remain safely inside. (Optional)

- **Parapet Ladder** A ready to use drop-down Parapet ladder is located on center of platform. No need to hang a cumbersome roof ladder from brackets on the side of the platform. (Optional)
- **Standard Warranty** - Twenty year structural warranty on the aerial device.

FIRE FIGHTING SYSTEM FEATURES

- **Full Body Fire Pump** - Hale Qmax or Waterous CSU pumps are rated up to 2,000 GPM. No custom made manifolds protruding under or through frame rails.
- **Pump Panel Options** - Black vinyl brushed stainless or mirror stainless steel. Removable panel on right side for service
- **User Friendly Pump Panel Layout** - color-coded, removable, escutcheon plates around all suction and discharge valves,
 - Electronic pump pressure governor
 - 2 ½ " individual line pressure gauges
 - 4" pump pressure and vacuum gauges
 - LED lights for panel available
- **High Flow Waterway** - Unique anodized aluminum waterway with nearly maintenance free internal seals. The Sutphen waterway grows in size from the base to the tip cutting friction loss and increasing water flow. Other designs cannot allow this as the added water weight at the aerial tip would cause overload concerns
- **Simplified Plumbing** - Since the aerial turntable is mounted directly over the pump, there is no complicated piping sharp bend or swivels to reduce friction loss. The opposite is true with a rear mounted turntable. All piping is stainless steel except aerial waterway above the turntable.

BODY FEATURES

- **Single Source Manufacturer** - The complete Sutphen apparatus (chassis, cab, body, and aerial device) are assembled at the Sutphen factory for two very important reasons: 1) No split responsibility, there is no way to pass off obligation, or blame another manufacturer should problems arise. 2) Should the apparatus become seriously damaged, it may be taken to one location, thus saving considerable time out of service, and inconvenience.

- **Stainless Steel Body** - The aerial body is constructed from brushed 304 stainless steel. The compartments are bolted together for simple repair and corrosion resistance.
- **Body Design** - The standard body, consist of dual full depth high sides compartments, enclosed ground ladders stored on beam, enclosed at the rear of the body, and a standard pumper style rear hosebed. Compartment space is not used up by a hosebed, nor are any chutes needed.
- **Compartments** - Approximately 264 cu. ft. of compartment space is provided. (292.9 cu.ft for the taller body) The truck company version has 280 cu.ft. of compartment space. Sutphen compartments are much lower and thus more accessible. All equipment slides are rated at 600 lbs., and all shelves are 3/16" smooth aluminum, with welded corners.
- **Hose Bed Capacity** - A user friendly hose bed with a capacity of 1000 feet of 5" supply hose is provided with the standard ground ladders.
- **Ground Ladders** - 115' is the standard compliment, with Truck Company or NFPA ladder options available. Addition ladders can be stored on the body top, or either side of the base section.
- **Crosslay Hose Bed** - Three crosslays, one 2 ½ " x 200', and two 1 ¾" x 200' are standard.
- **Water Tank Size** - 300 standard, 400, or 500 gallons available. Foam tanks are also available.
- **Attention to Detail** – Sutphen's assembly process and the finished aerial, show that great pains are taken to specifically reduce electrolysis caused by road chemicals and road salt. Special treated stainless steel screws with nylon under the head and on the threads are used throughout the truck. Special gaskets and barrier tapes are used as an extra measure.
- **Corrosion Reduction** - The Sutphen Corporation has in place a formal corrosion reduction program and detailed assembly procedures, designed for reducing and eliminating the possibility of corrosion. This formal program follows the processes as set forth in ASTM B117.

RESOLUTION

NOW, THEREFORE BE IT RESOLVED that the following Budget Amendment for the Ladder Truck replacement is authorized:

| | INCREASE (DECREASE) |
|--|----------------------------|
| Capital Improvement Program (CIP) Fund | |
| APPROPRIATIONS | |
| Capital Outlay | 574,687 |
| TOTAL APPROPRIATIONS | <u>\$ 574,687</u> |
| Net Increase (Decrease) to Fund Balance | <u><u>\$ (574,687)</u></u> |

I hereby certify that the foregoing is a true and complete copy of a resolution adopted by the City Council of the City of Novi at a regular meeting held on June 17, 2019

Dawn Spaulding
Deputy City Clerk